



*Fédération
Aéronautique
Internationale*

FAI Aerobatics Commission (CIVA)

SUMMARY OF CONCLUSIONS of the 2019 plenary meeting

held in the UK on the
9th and 10th November 2019
at the Imperial War Museum, Duxford

*Maison du Sport International
Av. de Rhodanie 54
CH-1007 Lausanne
Switzerland
Tél. +41 (0)21 345 10 70
Fax +41 (0)21 345 10 77
E-mail: info@fai.org
Web: www.fai.org*

Issue 1.2 – 19th November 2019

CIVA Presidents introductory remarks

President

Nick BUCKENHAM CIVA President

CIVA Bureau Members:

Matthieu ROULET	Vice President
Philippe KÜCHLER	Vice President
Castor FANTOBA	Vice President
Tamás ÁBRÁNYI	Vice President
Jürgen LEUKEFELD	Treasurer
Hanna RÄIHÄ	Secretary
Zuzana DANIHELOVÁ	Secretary

1. In memoriam

A minute of silence was held to remember friends and colleagues who passed away in 2018 and 2019:

Ladislav Bezák	SVK	November 2018
Piet Nutt	RSA	April 2019
Jiří Koblre	CZE	May 2019
Tomonari Kaji	JPN	May 2019
Emily Collet	GBR	August 2019
Tom Castle	GBR	August 2019

2. Meeting Introduction

2.1. Roll Call of Delegations

Present: Argentina, Australia, Brazil, Canada, Czech Republic, Finland, France, Germany, Hungary, Japan, Lithuania, Norway, Poland, Romania, Republic of South Africa, Slovak Republic, Spain, Switzerland, United Kingdom, USA

4 proxies were tabled:

Russia	to	Spain
Ukraine	to	Lithuania
Ireland	to	United Kingdom
Sweden	to	Finland

Apologies for absences: Farrell MCGEE (Ireland)

TOTAL VOTES: 24 (20 present, 4 proxies), Absolute majority = 13, 2/3 majority = 16

2.2. Minutes of the 2018 Meeting

***The Delegates approved the second version of the plenary agenda.
The Delegates unanimously approved the Minutes of the 2018 Meeting***

2.3. Declaration of Conflicts

There were no declarations of conflict.

3. Report from the President of CIVA – Nick Buckenham

CIVA President Nick Buckenham presented his report.

4. Report from the FAI Representative – Markus Haggenev

Markus Haggenev, FAI Sports and Marketing Director presented his report.

5. CIVA Working Group Reports

- 5.1. FPS Working Group (Nick BUCKENHAM)
- 5.2. Contest Organizing Working Group (Nick BUCKENHAM)
- 5.3. Strategic Working Group (Nick BUCKENHAM)
- 5.4. Known Assessment Working Group (Elena KLIMOVICH)

Reports approved by CIVA

6. Report on CIVA Finances 2019 – 2020

- 6.1. 2019 Financial Results (Jürgen LEUKEFELD)
- 6.2. 2020 CIVA Travel Allowance Programme (Jürgen LEUKEFELD, Madelyne DELCROIX)
- 6.3. 2020 Budget (Jürgen LEUKEFELD)

Reports approved by CIVA

7. Reports on the 2019 Championships

7.1. Reports on the 2nd FAI World Intermediate Aerobatic Championships (Břeclav, Czech Republic)

- President of the International Jury (Philippe KÜCHLER)
- Contest Director (Vladimír MACHULA)
- Chief Judge (John Gaillard)

Reports approved by CIVA

7.2. Reports on the 22nd FAI World Glider Aerobatic Championships and the 10th FAI World Advanced Glider Aerobatic Championships (Deva, Romania)

- President of the International Jury (Manfred ECHTER)
- Contest Director (Luca GELU)
- Chief Judge (Philippe KÜCHLER)

Reports approved by CIVA

7.3. Reports on the 11th FAI European Advanced Aerobatic Championships (Toruń, Poland)

- President of the International Jury (Nick BUCKENHAM)
- Contest Director (Jerzy MAKULA)
- Chief Judge (Pavol KAVKA)

Reports approved by CIVA

7.4. Report on the 30th FAI World Aerobatic Championships (Châteauroux-Déols, France)

- President of the International Jury (Vladimír MACHULA)
- Contest Director (Emmanuel FOULON)
- Chief Judge (Nick BUCKENHAM)

Reports approved by CIVA

8. Reports of other Working Groups Established 2016

8.1. Aircraft Manufacturer Championships Trophy Working Group (Castor FANTOBA) Private and Commercial Team Working Group (Castor FANTOBA)

Both of these items were handled in 5.3 Strategic Working Group Report

9. CIVA Committee Reports & Proposed Rules Changes

9.1. Report of the CIVA Rules Committee (Matthieu ROULET)

NP2020-1:

Source: FRA #1

Document: Section 6 Part 1

Subject: Judges Positioning

IN FAVOUR: 17 AGAINST: 5 ABSTAIN: 2

CIVA agreed

NP2020-2:

Source: FRA #2

Document: Section 6 Part 1

Subject: European Open Championships

IN FAVOUR: 11 AGAINST: 10 ABSTAIN: 3

CIVA rejected

Note: A subsequent improved solution was presented – see after 9.1 NP2020-17.

NP 2020-4

Source: FRA #4

Document: Section 6 Part 1

Subject: Order of Flights

IN FAVOUR: 20 AGAINST: 3 ABSTAIN: 1

CIVA agreed

NP 2020-8

Source: SPA #1

Document: Section 6 Part 1

Subject: Upward flick rolls in tailslides

IN FAVOUR: 18 AGAINST: 3 ABSTAIN: 3

CIVA agreed

NP 2020-9

Source: SPA #2

Document: Section 6 Part 1 / Part 2

Subject: Direction of rolling circles

IN FAVOUR: 13 AGAINST: 8 ABSTAIN: 3

CIVA agreed

NP 2020-17

Source: UK #1

Document: Section 6 Part 1 / Part 2

Subject: Judging of aircraft axis alignment vs. the box axes

CIVA agreed by acclamation

Revised proposal by Spain on the European Open title

CIVA agreed by acclamation

9.2. **Report of the CIVA Judging Committee (Pierre VARLOTEAUX)**

Report approved by CIVA

9.3. **Report of the CIVA Catalogue Committee (Manfred ECHTER)**

NP 2020-3

Source: FRA #3

Document: Aresti Catalogue

Subject: Rolling Turns

CIVA rejected by acclamation

Report approved by CIVA

9.4. **Report of the CIVA Glider Aerobatics Committee (Manfred ECHTER)**

NP 2020-9

Source: SPA #2

Document: Section 6 Part 1 / Part 2

Subject: Direction of Rolling Turns

Already agreed in RC report

NP 2020-12

Source: SWE #1

Document: Section 6, Part 2

Subject: Rolls in the top of Loops

IN FAVOUR: 7

CIVA rejected

NP 2020-17

Source: GBR #1

Document: Section 6 Part / Part 2

Subject: Judging of aircraft axis alignment vs. the box axes

Already agreed in RC report

9.5. **Report of the Information and Computer Technology Committee (Vladimír MACHULA)**

Report approved by CIVA

9.6. **Safety and Expedited Proposals (SP and EP) (Nick BUCKENHAM)**

Report approved by CIVA

9.7. **Urgent Proposals (Nick BUCKENHAM)**

WGAC International Jury President's Proposals:

Positioning K-factor

CIVA agreed by acclamation

Discrepancy between PZ and HZ

CIVA agreed by acclamation

Accommodation for the International Judges

CIVA rejected

WIAC International Jury President's Proposals:

Allowed figures for programme 2, 3 and 4

Forwarded to the RC

Para 4.4.3.1

Already dealt with earlier

Appendix A

Forwarded to the RC

Submission of the figures by the IJ in case of fewer than 10 NACs

Forwarded to the RC

WGAC & WAGAC Chief Judge's Proposals:

Paragraph B.8.1.6 – Inside Lines

Forwarded to the JC, RC

Para B.9.10.5 – Loops

Forwarded to the JC, GAC

EAAC International Jury President and WAC Chief Judge proposals

Video Recording of Championship flights

Proposal put aside pending further work by ICTC and on the GCO document

Report approved by CIVA

9.8. **President's Proposals (Nick BUCKENHAM)**

Medals: Plenary was asked for approval to move CIVA medals to a new design:

Skydance: 2 votes

Loop: 2 votes

Rise: 0 votes

Inverted: 20 votes – **this design was selected by CIVA**

9.9. **A New CIVA News website**

CIVA President Nick Buckenham presented his plans for a new CIVA News website, to be designed and implemented during the following months.

10. CIVA Free Known programme figure selections for 2020 (see page 13)

Power Unlimited Free Known Programme

Proposal P selected

Power Advanced Free Known Programme

Proposal H selected

Yak 52 and Intermediate Free Known Programme

Proposal C selected

Advanced Glider Free Known Programme

Proposal 1 selected

Unlimited Glider Free Known Programme

Proposal 2 selected

11. Future FAI Aerobatic Championships

11.1. The 23rd FAI World Glider Aerobatic Championships and the 11th FAI World Advanced Glider Aerobatic Championships (bids invited)

BID 1

Poland, Leszno

Location:

Leszno, Poland

Dates:

Contest days:

22nd July – 2nd August

Entry fees:

Competitors

750€

Team members

300€

Others (opening and closing event)

60€

Towing

70€ / 1250m 50€ / 800 m

Judges:

7 teams + CJ team

1 additional night for training

Contest director:

Jerzy Makula

Towing aircraft

4xDynamic

IN FAVOUR: 22 AGAINST: 0 ABSTAIN: 2

Bid approved

11.2. The 14th FAI World Advanced Aerobatic Championships (bids invited)

BID 1

Republic of South Africa, Phalaborwa

Location:

Phalaborwa, RSA

Dates:

Contest days:

29th July – 8th August

Entry fees:

Competitors

2,000€ (including accommodation)

Team members, observers

1,500€ (including accommodation)

Competitors

1,100€ (without accommodation)

Team members, observers

600€ (Excluding accommodation)

Judges:

7 teams + CJ team

1 additional night

Contest director:

John Gaillard

Summary of Conclusions of the Plenary Meeting of CIVA 2019



BID 2

Czech Republic, Hosín

Location:		Hosín, CZE
Dates:	Training days:	1 st – 5 th August
	Contest days:	6 th – 15 th August
Entry fees:	Competitors	1,800€ (before 31 st May)
		2,000€ (before 20 th June)
		2,100€ (late entry)
	Other team members	1,600€ (before 31 st May)
		1,800€ (before 20 th June)
		1,900€ (late entry)
Judges:	7 teams + CJ team	
	1 additional night	
Contest director:	Vladimír Machula	

BID 1 6 votes

BID 2 15 votes *This bid was approved*

11.3. The 22nd FAI European Aerobatic Championships (bids invited)

BID 1

Poland, Torun

Location:		Torun, POL
Dates:	Contest days:	16 th – 26 th July (1 wk earlier possible)
Entry fees:	Competitors	1,950€ (before 31 st May)
	Team members	1,600€ (before 31 st May)
		2,000€ / 1,000€ (before 30 th June)
		2,100€ / 1,900€ (Late entry)
Judges:	7 teams + CJ team	
	1 additional night for training	
Contest director:	Jerzy Makula	

BID 2

Czech Republic, Břeclav

Location:		Břeclav, CZE
Dates:	Training days:	18 th – 21 st August
	Contest days:	22 nd – 29 th August
Entry fees:	Competitors	1,950€ (before 31 st May)
	Others	1,600 € (before 31 st May)
	Competitors	2,150 € (before 30 th June)
	Others	1,800 € (before 30 th June)
	Competitors	2,250 € (late entry)
	Others	1,900 € (late entry)
Judges:	7 teams + CJ team	
	Accommodation from opening briefing until morning after the closing ceremony	
Contest director:	Vladimír Machula	

BID 1 8 votes

BID 2 14 votes *This bid was approved*

11.4. The 1st FAI 'European Plus' Intermediate Aerobatic Championships (bids invited)

BID 1

Romania, Deva

Location:		Deva, ROU
Dates:	Training days:	1 st – 4 th July
	Contest days:	5 th – 11 th July
Entry fees:	Competitors	1,800€ (200€ extra for a single room)
	Team members	1,600€
Judges:	7 teams + CJ team	
	1 additional night for training	
Contest director:	TBA	

There will be no opportunity to rent aircraft from the Organiser.

IN FAVOUR 20

Bid approved

11.5. Report of the 6th FAI Yak52 World Aerobatic Championships, Mogilev Region, Belarus)

The CIVA President was instructed by Belarus that the 2020 event has been withdrawn by the Belarus National Aero Club in favour of a national 'test' event as preparation for a new bid for 2021.

11.6. Report of the 24th FAI World Glider Aerobatic Championships and the 12th FAI World Advanced Aerobatic Championships 2021, Issoudun, France

11.7. Report of the 15th FAI World Advanced Aerobatic Championships 2022, Las Vegas, USA

11.8. Other future events (bids invited)

Bid for the 25th FAI World Glider Aerobatic Championships and the 13th FAI World Advanced Aerobatic Championships 2022

Lithuania, Pociunai

Location:		Pociunai, Lithuania
Dates:	Training days:	11 th – 13 th July
	Contest days:	14 th – 24 th July
Entry fees:	Competitors	750€
	Other team members	250€
Towing	70€ / 1250m	55€ / 800 m
Judges:	7 teams + CJ team	
	1 additional night	
Contest director:	Vytautas Sabeckis	
Towing aircraft	3xDynamic, Yak 55, Wilga, Extra 330	

IN FAVOUR: 22

Bid approved

11.9. The FAI World Air Games 2022

Nick Buckenham, CIVA President and Markus Haggene, FAI Sports and Marketing Director presented their report on the CIVA Glider Special Event planned for the FAI WAG 2022.

12. CIVA Elections 2020

Note: 22 votes (18 present, 4 proxies), absolute majority: 12

President:

Nick BUCKENHAM Elected 2019 for 2020-2021

Vice Presidents:

Phillipe KÜCHLER Elected 2019 for 2020-2021

Matthieu ROULET Elected 2019 for 2020-2021

Castor FANTOBA Resigned

Tamás ÁBRÁNYI Elected 2018 for 2019-2020

Secretaries:

Hanna RÄIHÄ Elected 2018 for 2019-2020

Zuzana DANIHELOVÁ Elected 2019 for 2020-2021

Treasurer:

Jürgen LEUKEFELD Elected 2018 for 2019-2020

Rules Committee

Chairman: Matthieu ROULET

Members: Nick BUCKENHAM
Philippe KÜCHLER
Pierre VALOTEAUX
Elena KLIMOVICH
Hanspeter ROHNER

Judging Committee

Chairman: Pierre VARLOTEAUX

Members: Philippe KÜCHLER
John GAILLARD
Mikhail MAMISTOV
Elena KLIMOVICH
Vladimír MACHULA

Glider Aerobatic Committee

Chairman: Manfred ECHTER

Members: Madelyne DELCROIX
Jerzy MAKULA
Pekka HAVBRANDT
Ferenc TOTH
Philippe KÜCHLER

Catalogue Committee

Chairman: Manfred ECHTER

Members: Pierre VARLOTEAUX
Brian HOWARD
Anatoly BELOV
Madelyne DELCROIX
Pekka HAVBRANDT

ICT Committee

Chairman: Vladimír MACHULA
Members: Kari KEMPPÍ
Nick BUCKENHAM
Peter ROUNCE
Philippe KÜCHLER

13. Appointment and Approval of Championships Officials

13.1. The 23rd FAI World Glider Aerobatic Championships and 11th FAI World Advanced Glider Aerobatic Championships 2020, Leszno, Poland

President of the International Jury: Manfred ECHTER
Members: Madelyne DELCROIX
Kari KEMPPÍ
Chief Judge: Philippe KÜCHLER

13.2. The 22nd FAI European Aerobatic Championships 2020, Břeclav, Czech Republic

President of the International Jury: Nick BUCKENHAM
Members: Pierre VARLOTEAUX
Elena KLIMOVICH
Chief Judge: John GAILLARD

13.3. 14th FAI World Advanced Aerobatic Championships 2020, Hosín, Czech Republic

President of the International Jury: Philippe KÜCHLER
Members: Pierre VARLOTEAUX
Tamás ÁBRÁNYI
Chief Judge: Pavol KAVKA

13.4. 1st FAI European+ Intermediate Aerobatic Championships 2020, Deva, Romania

President of the International Jury: Tamás ÁBRÁNYI
Members: Elena KLIMOVICH
Philippe KÜCHLER
Chief Judge: Nick BUCKENHAM

14. FAI Special Aerobatic Events (FSAE) for 2020

No FAI Special Aerobatic Events are currently planned for 2020 (Nick BUCKENHAM)

15. List of FAI International Aerobatic Judges

15.1. Addition and removal of Judges to keep the list up-to-date

The Chairman of the JC explained the procedure for adding new judges to the list.

16. Other Reports and Business

16.1. FAI/Aresti Committee Report 2019 (John GAILLARD)

Summary of Conclusions of the Plenary Meeting of CIVA 2019



- 16.2. **Contest Scoring Programme Report 2019 (Nick BUCKENHAM)**
- 16.3. **CIVA Championship Organiser of the Year Trophy 2019 (Nick BUCKENHAM)**
- 16.4. **Leon Biancotto diploma (Nick BUCKENHAM)**

Next year the Leon Biancotto diploma will be awarded to Roland Küng.
The CIVA plenum agreed.

- 16.5. **The Strössenreuther Trophy Replacement (Castor FANTOBA)**

- 16.6. **Other Reports / Business**

Ad hoc item: Review of Corporate Governance (CZE): Mandate for Governance

- Define the duties, responsibilities and tasks of the CIVA President, Bureau, Committees and Working Groups
- Define the appropriate contents of Section 6 and its housekeeping processes
- Create a Governance or By-laws document with directives and rules beyond the scope of Section 6

Ad hoc item: Internal Governance (SPA): Mandate of Rules Committee

- Ensure full visibility of all proposals submitted to the RC/JC for subsequent vote at Plenary
- The RC/JC should provide their advice to plenary regarding all proposals, and not reject any
- All Committees should enjoy equal influence in their assessment of submitted items
- The functions, duties and responsibilities of committees must be defined and agreed

Support for both items -

IN FAVOUR: 21 AGAINST: 0 ABSTAIN: 2

Accepted by CIVA for onward Bureau development and adoption in 2020

17. Date and Place of Future Plenary Meeting

BID 1 Dallas, USA (11 votes)

BID 2 Prague, CZE (4 votes)

Place: Dallas, USA

Date: 6th – 8th November 2020

Submitted for approval

Hanna RÄIHÄ

Zuzana DANIHELOVÁ

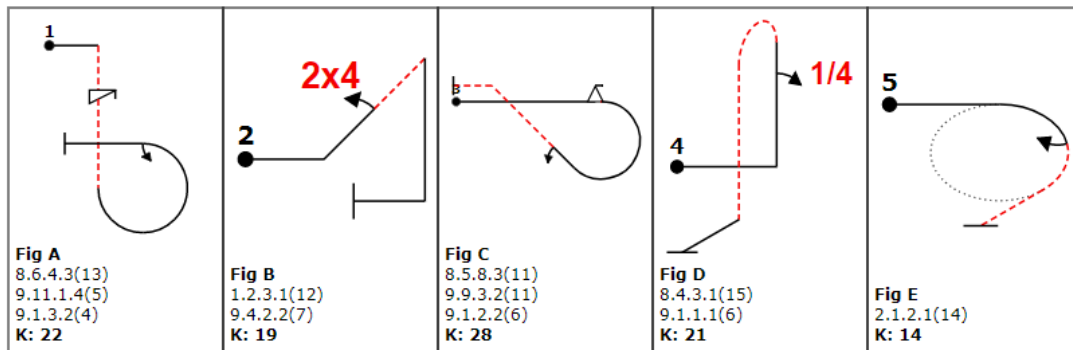
Secretaries of CIVA

The "Known" figures specified by CIVA for Free Known programmes in 2020 are:

Intermediate power / Yak-52 category

Proposal C

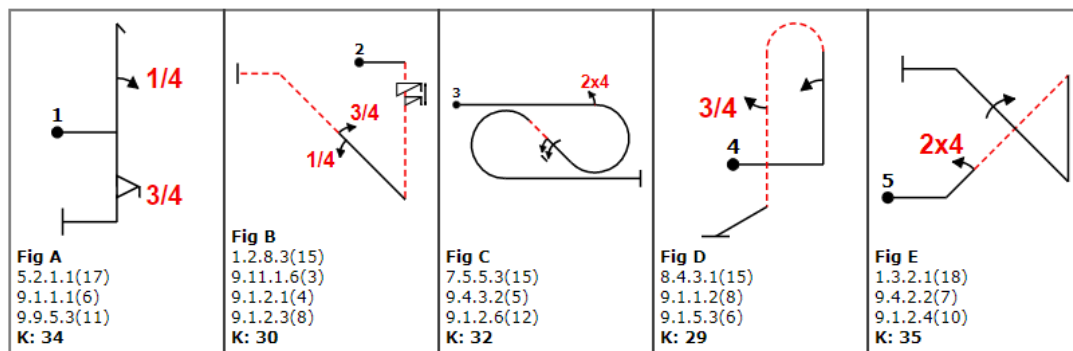
Max total K allowed = 200



Advanced power category

Proposal H

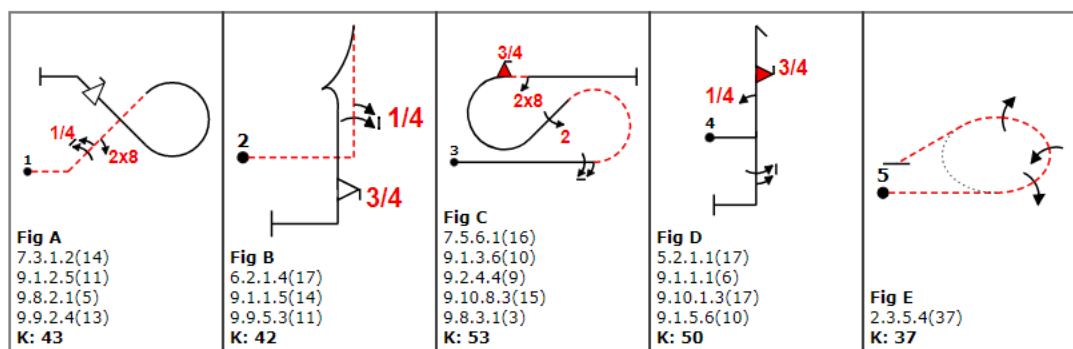
Max total K allowed = 320



Unlimited power category

Proposal P

Max total K allowed = 450



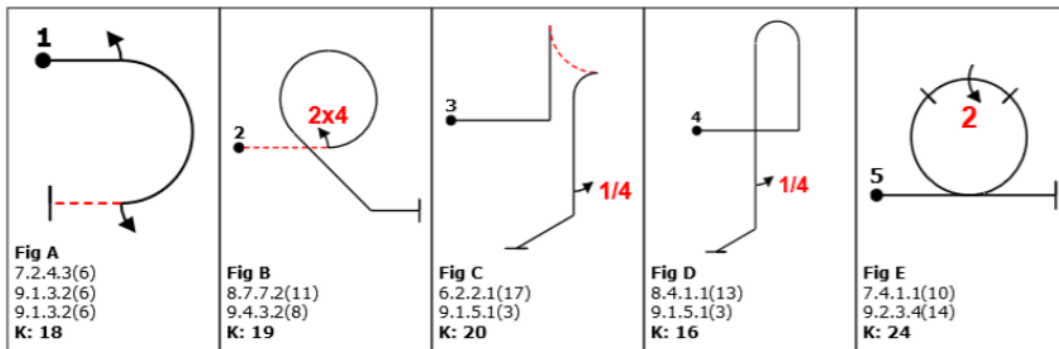
Summary of Conclusions of the Plenary Meeting of CIVA 2019



Advanced glider category

Max total K allowed = 175

Proposal 1 K 97



Unlimited glider category

Max total K allowed = 230

Proposal 2 K 120

