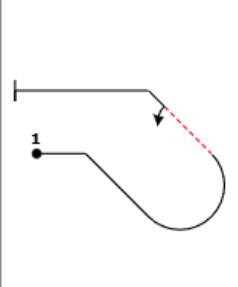
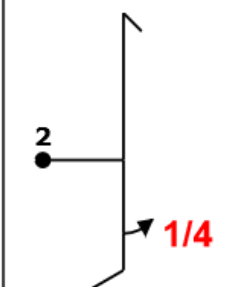
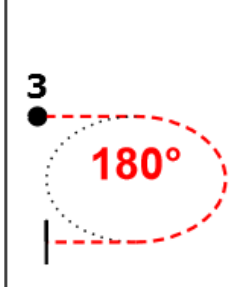
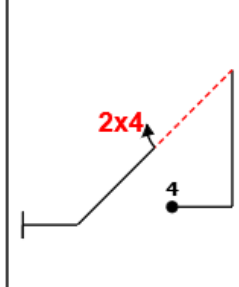
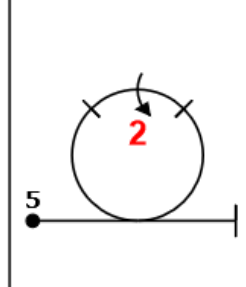


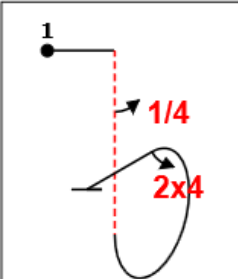
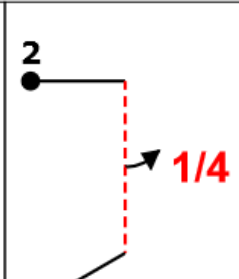
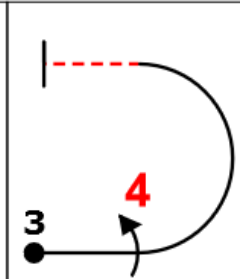
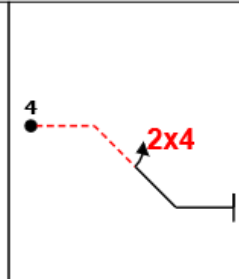
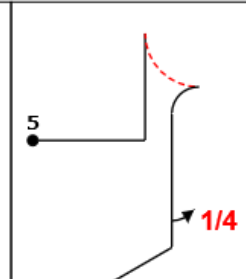
Plenary will be asked to select one of the following Known figure sets for each of the two categories.

### Known Figure Proposals for Advanced Glider (in order of preference)

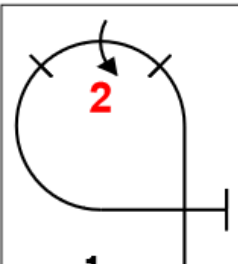
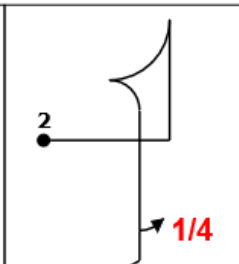
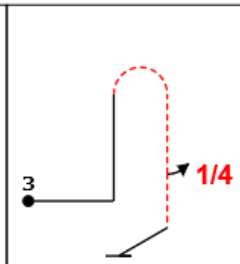
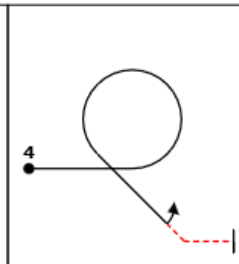
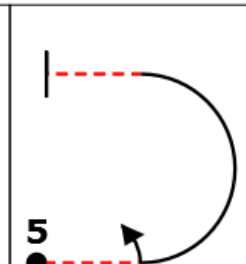
#### ADV 1 K=92

 <p>8.4.18.3(13) 9.1.2.2(9) K: 22</p>	 <p>5.2.1.1(17) 9.1.5.1(3) K: 20</p>	 <p>2.2.1.2(5) K: 5</p>	 <p>1.2.7.1(13) 9.4.4.2(8) K: 21</p>	 <p>7.4.1.1(10) 9.2.3.4(14) K: 24</p>
--	---	--	--	--

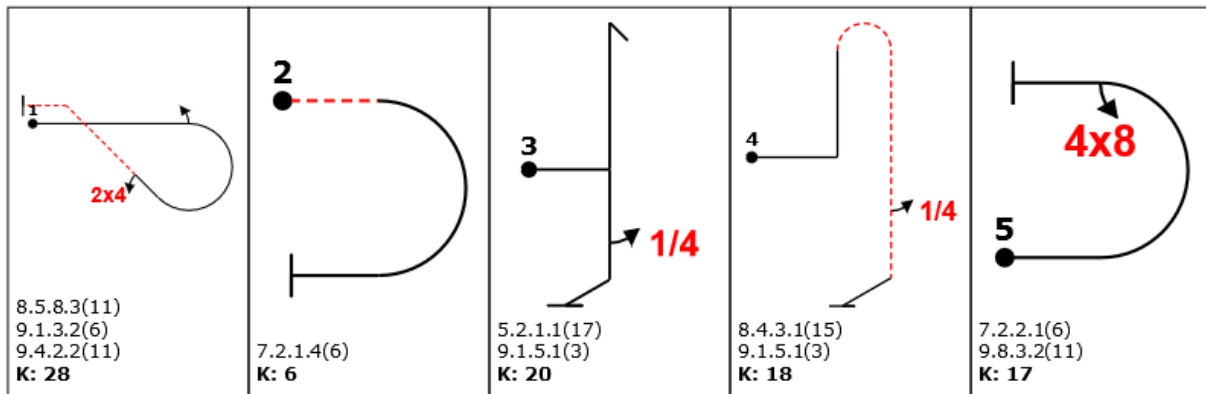
#### ADV 2 K=95

 <p>8.6.4.3(13) 9.1.5.1(3) 9.4.3.2(8) K: 24</p>	 <p>1.1.6.3(10) 9.1.5.1(3) K: 13</p>	 <p>7.2.1.1(6) 9.4.3.4(17) K: 23</p>	 <p>1.1.3.4(7) 9.4.4.2(8) K: 15</p>	 <p>6.2.2.1(17) 9.1.5.1(3) K: 20</p>
--	---	---	---	---

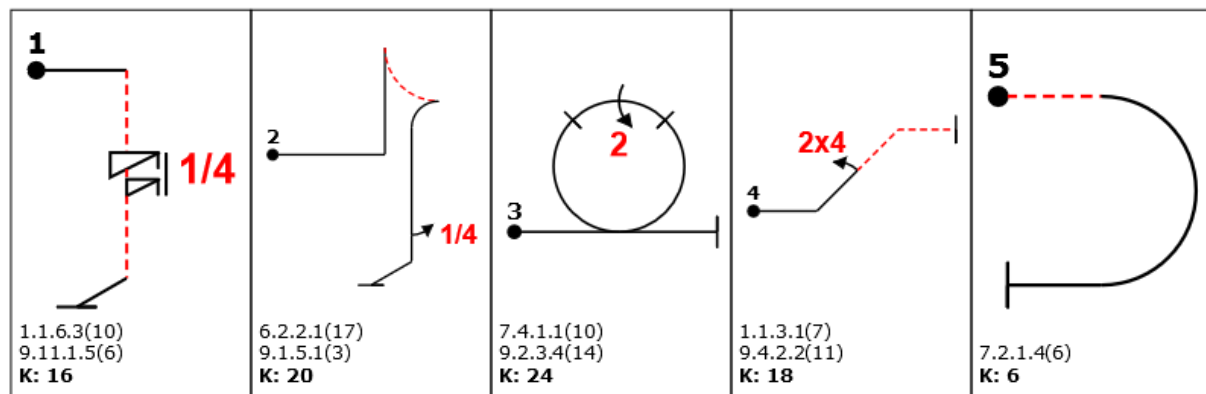
#### ADV 3 K=95

 <p>8.6.1.1(11) 9.2.3.4(14) K: 25</p>	 <p>6.2.1.1(17) 9.1.5.1(3) K: 20</p>	 <p>8.4.3.1(15) 9.1.5.1(3) K: 18</p>	 <p>8.7.6.1(13) 9.1.4.2(6) K: 19</p>	 <p>7.2.3.2(7) 9.1.3.2(6) K: 13</p>
--	---	---	--	--

ADV 4 K=89

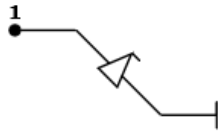
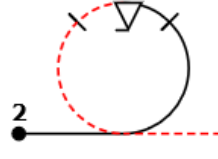
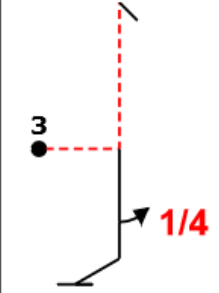
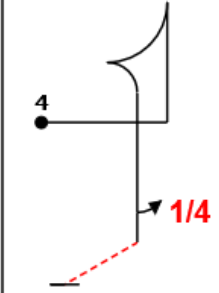
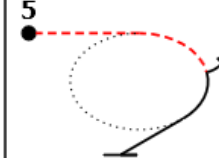


ADV 5 K=93

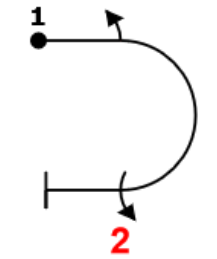
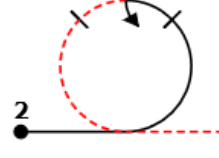
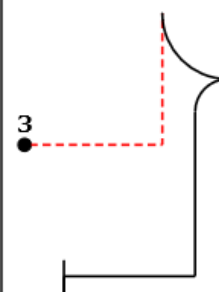
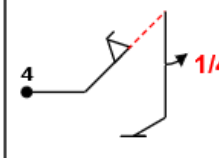
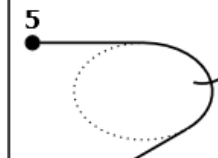


# Known Figure Proposals for Unlimited Glider (in order of preference)

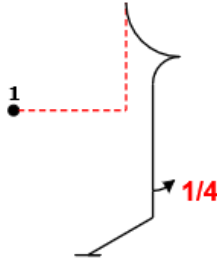
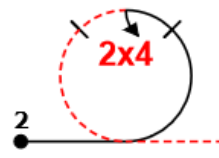
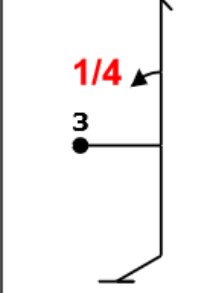
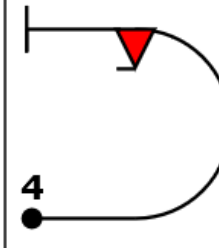
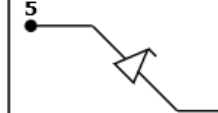
## UNL 1 K=114

 <p>1.1.2.3(7) 9.9.4.4(16) K: 23</p>	 <p>7.4.2.1(12) 9.9.3.2(12) K: 24</p>	 <p>5.2.1.4(22) 9.1.5.1(3) K: 25</p>	 <p>6.2.1.3(18) 9.1.5.1(3) K: 21</p>	 <p>2.1.2.4(21) K: 21</p>
---	--	---	--	--

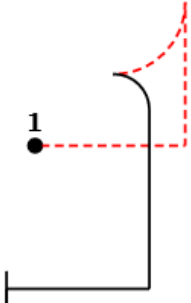
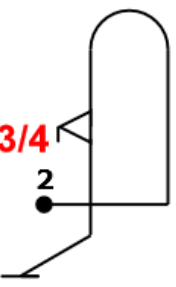
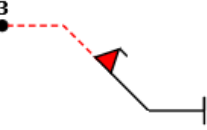
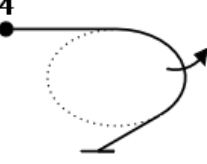
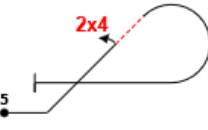
## UNL 2 K=117

 <p>7.2.3.3(6) 9.1.3.2(6) 9.2.3.4(14) K: 26</p>	 <p>7.4.2.1(12) 9.1.3.2(6) K: 18</p>	 <p>6.2.1.4(22) K: 22</p>	 <p>1.2.3.1(12) 9.9.2.2(15) 9.1.5.1(3) K: 30</p>	 <p>2.1.3.3(21) K: 21</p>
---	--	---	---	---

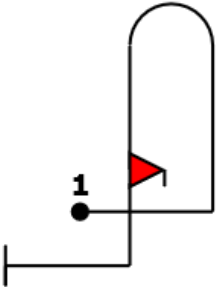
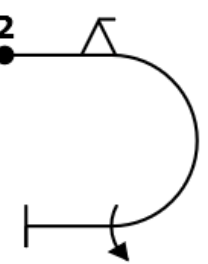
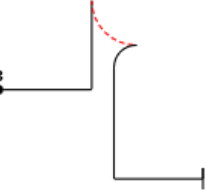

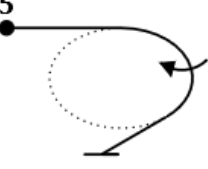
## UNL 3 K=118

 <p>6.2.1.4(22) 9.1.5.1(3) K: 25</p>	 <p>7.4.2.1(12) 9.4.3.2(8) K: 20</p>	 <p>5.2.1.1(17) 9.1.1.1(9) K: 26</p>	 <p>7.2.2.1(6) 9.10.8.2(18) K: 24</p>	 <p>1.1.2.3(7) 9.9.4.4(16) K: 23</p>
---	---	---	---	---

UNL 4 K=113

 <p>6.2.2.4(22) K: 22</p>	 <p>8.4.1.1(13) 9.9.5.3(14) K: 27</p>	 <p>1.1.3.4(7) 9.10.4.2(15) K: 22</p>	 <p>2.1.3.3(21) K: 21</p>	 <p>8.5.2.1(10) 9.4.2.2(11) K: 21</p>
--	--	--	---	--

UNL 5 K=119

 <p>8.4.1.1(13) 9.10.10.2(15) K: 28</p>	 <p>7.2.3.3(6) 9.9.3.2(12) 9.1.3.4(12) K: 30</p>	 <p>6.2.2.1(17) K: 17</p>	 <p>8.5.6.1(10) 9.10.4.2(15) K: 25</p>	 <p>2.1.3.1(19) K: 19</p>
--	---	--	--	--