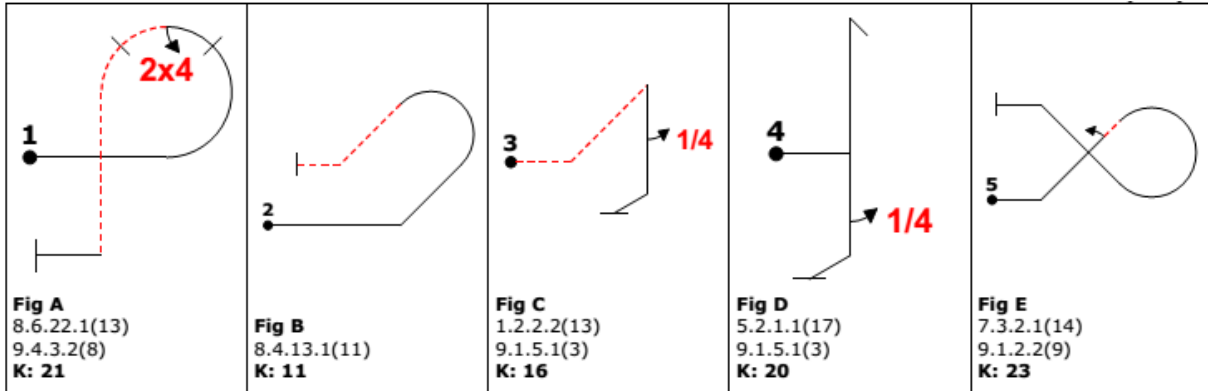


Glider Free Known Figure Set Proposals 2022

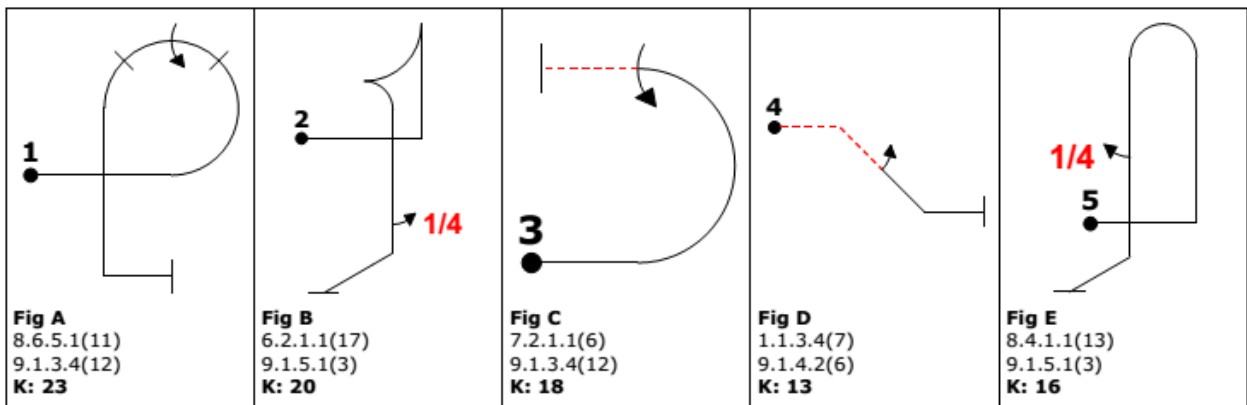
In Order of Preference by GAC Members

Advanced

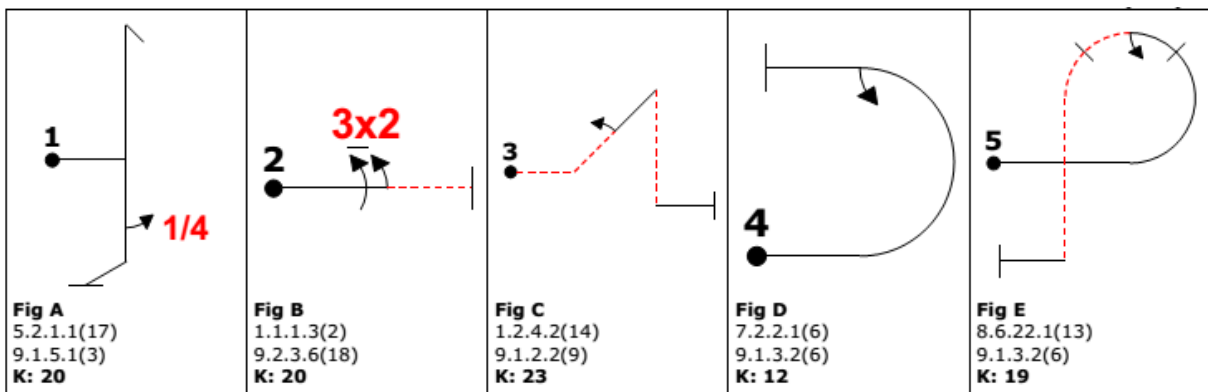
1 K = 91



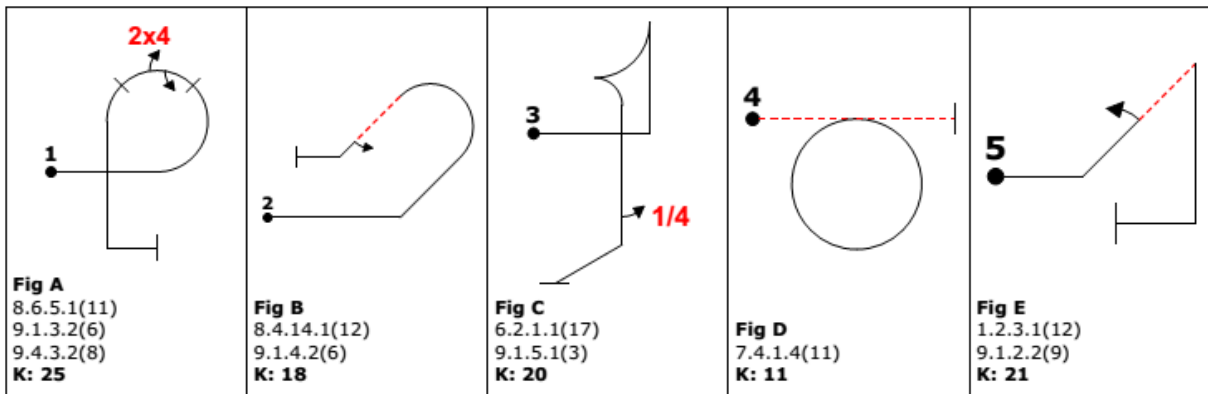
2 K = 90



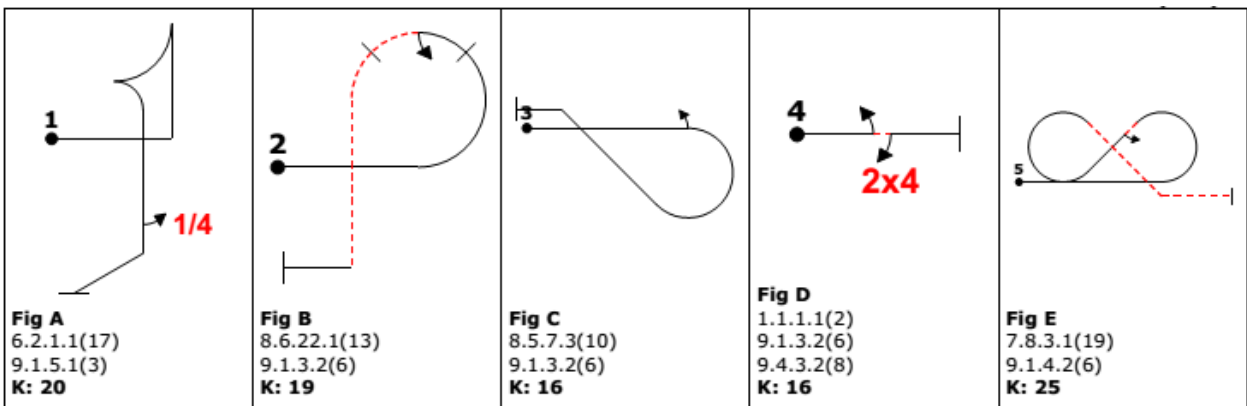
3 K = 94



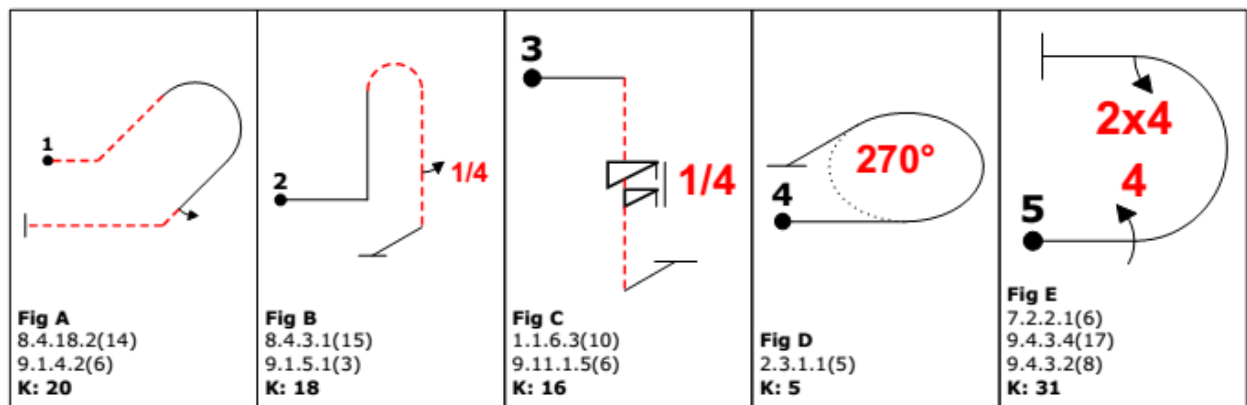
4 K = 95



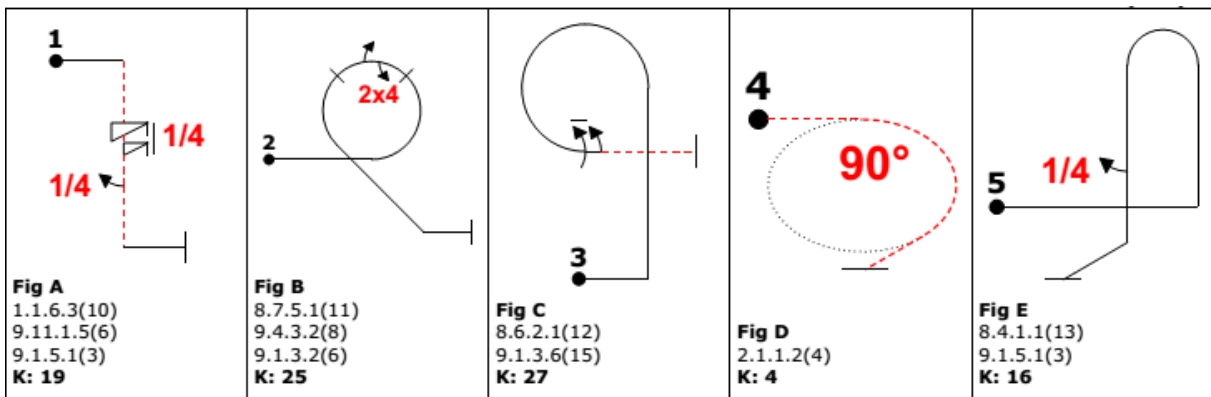
5 K = 96



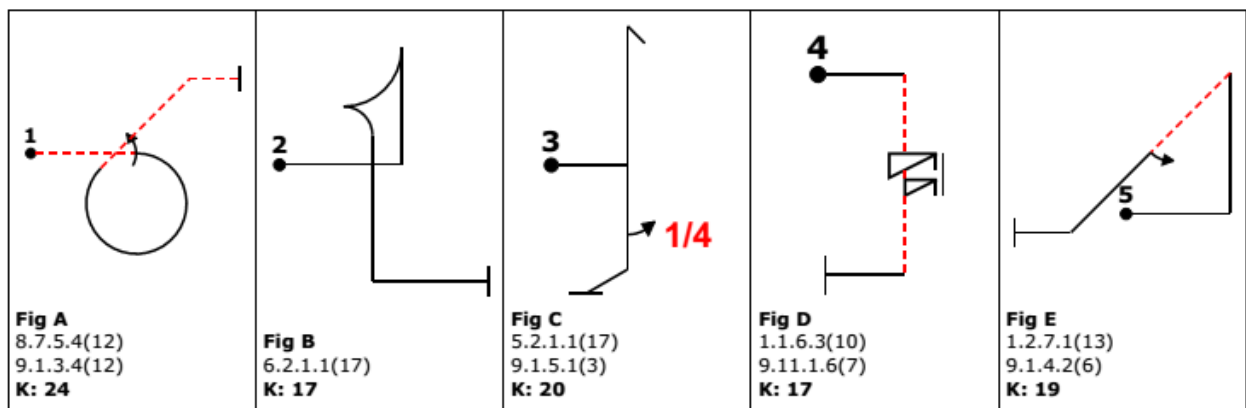
6 K = 90



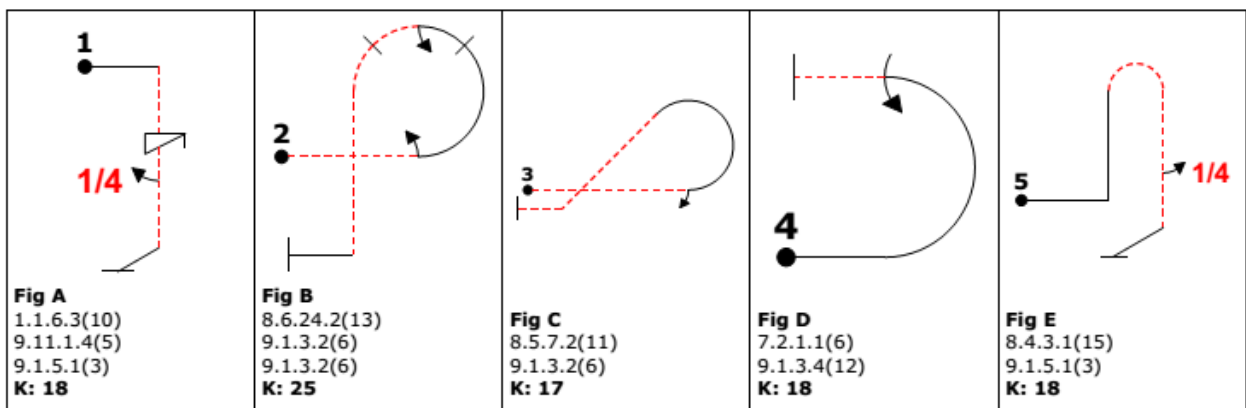
7 K = 91

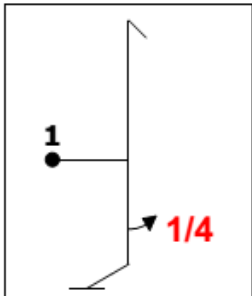
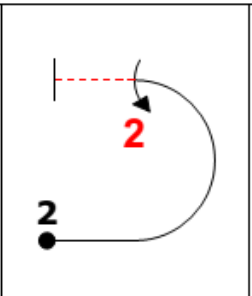
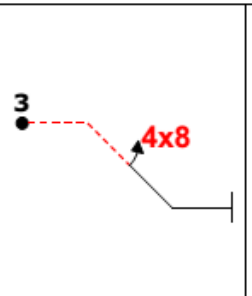
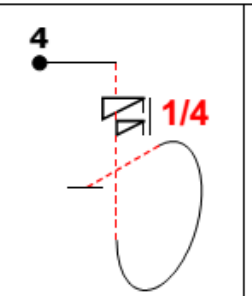
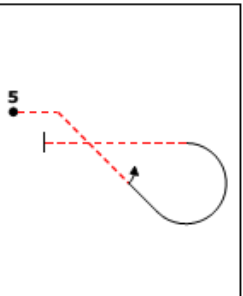


8 K = 97



9 K = 96



 <p>Fig A 5.2.1.1(17) 9.1.5.1(3) K: 20</p>	 <p>Fig B 7.2.1.1(6) 9.2.3.4(14) K: 20</p>	 <p>Fig C 1.1.3.4(7) 9.8.4.2(11) K: 18</p>	 <p>Fig D 8.6.3.3(13) 9.11.1.5(6) K: 19</p>	 <p>Fig E 8.5.2.4(11) 9.1.4.2(6) K: 17</p>
---	---	---	---	---