



*Fédération  
Aéronautique  
Internationale*

---

# **FAI Aerobatics Commission (CIVA)**

## **SUMMARY OF CONCLUSIONS** of the 2021 plenary meeting

held on  
**20<sup>th</sup> and 21<sup>st</sup> November 2021**  
via the ZOOM online meeting system

*Maison du Sport International  
Av. de Rhodanie 54  
CH-1007 - Lausanne  
(Switzerland)*

*Tel : +41 21 345 1070  
Fax : +41 21 345 1077  
Email: [sec@fai.org](mailto:sec@fai.org)  
Web: [www.fai.org](http://www.fai.org)*

Issue 1.1 – 1<sup>st</sup> December 2021

## CIVA Presidents introductory remarks

### **President**

Nick BUCKENHAM CIVA President

### **CIVA Bureau Members:**

Matthieu ROULET	Vice President
Philippe KÜCHLER	Vice President
Elena KLIMOVICH	Vice President
Hanspeter ROHNER	Vice President
Jürgen LEUKEFELD	Treasurer
Hanna RÄIHÄ	Secretary
Zuzana DANIHELOVÁ	Secretary

## 1. In memoriam

A minute of silence was observed to remember friends and colleagues who passed away in 2020 and 2021.

Benoit Merieau	FRA	November 2020
Jaroslav Pošitma	CZE	August 2021
Neville Ferreira	RSA	October 2021
Valentina Yaikova	RUS	October 2021

## 2. Meeting Introduction

### 2.1. Roll Call of Delegations

Present: Argentina, Australia, Austria, Belgium, Brazil, Canada, Czech Republic, Denmark, Finland, France, Germany, Great Britain, Hungary, Japan, Lithuania, Luxemburg, Netherlands, Norway, Poland, Romania, Republic of South Africa, Russia, Slovak Republic, Spain, Sweden, Switzerland, United States of America

No proxy was tabled.

Apologies for absences: None.

**TOTAL VOTES: 27, Absolute majority = 14, 2/3 majority = 18**

### 2.2. Minutes of the 2020 Meeting

***The minutes of the 2020 meeting were approved.***

### 2.3. Declaration of Conflict of Interest

There were no declarations of conflict of interest.

### 3. Report from the President of CIVA – Nick Buckenham

CIVA President Nick Buckenham presented his report.

### 4. Report from the FAI General Secretary – Markus Haggenev

Markus Haggenev, FAI General Secretary presented his report.

### 5. Online Voting System Trial

CIVA Secretary Hanna Rähä explained the voting procedure using the Election Runner system.

### 6. CIVA Committee and Working Group Reports

#### Information and Communication Technology Committee Report

ICTC Chairman Vladimír Machula provided information on the committee activities and implementation of various technologies carried out in 2021.

#### Strategic Planning Working Group

Nick Buckenham presented the report.

#### **Reports approved by CIVA**

### 7. Report on CIVA Finances 2020 – 2021

- 7.1. 2021 Financial Results (Jürgen LEUKEFELD)
- 7.2. 2022 CIVA Travel Allowance Programme (Jürgen LEUKEFELD, Madelyne DELCROIX)
- 7.3. 2022 Budget (Jürgen LEUKEFELD)

#### **Reports approved by CIVA**

A proposal from the bureau asking delegates for approval to raise the CIVA sanction fee from 160€ to 180€ per competitor was after some discussion deferred for reappraisal in 2022.

### 8. CIVA Free Known Power figure selection

Elena Klimovich explained the shortlist of figures approved by the KAWG Experts. Voting was carried out using the Election Runner system, with results announced the next day (item 15 of the SoC).

### 9. Reports of other Committees and Working Groups

#### 9.1. Report of the CIVA Judging Committee

Pierre Varloteaux explained the process of updating the list of international judges and the selection procedure for judges at championships.

### **9.2. Report of the CIVA Catalogue Committee**

Pekka Havbrandt presented a brief report on behalf of Manfred Echter and the committee. No meeting of this committee took place in 2021.

### **9.3. Report of the CIVA Glider Aerobatics Committee**

Pekka Havbrandt presented a report on behalf of Manfred Echter regarding proposed rule changes, which were voted upon during the following day using the Election Runner system.

### **9.4. Report on the Fair Play System**

Nick Buckenham presented a short report – no changes were made to the system in 2021.

### **Reports approved by CIVA**

## **10. Reports of the 2021 Championships**

- 10.1. **23<sup>rd</sup> FAI WGAC & 11<sup>th</sup> FAI WAGAC Jury President's Report (Manfred Echter)**
- 10.2. **23<sup>rd</sup> FAI WGAC & 11<sup>th</sup> FAI Chief Judge's Report (Philippe Kuchler)**
- 10.3. **23<sup>rd</sup> FAI WGAC & 11<sup>th</sup> FAI Contest Director's Report (Vladimír Machula)**
- 10.4. **14<sup>th</sup> FAI WAAC Jury President's Report (Pierre Varloteaux)**
- 10.5. **14<sup>th</sup> FAI WAAC Chief Judge's Report (Jérôme Houdier)**
- 10.6. **14<sup>th</sup> FAI WAAC Contest Director's Report (Wojciech Krupa)**
- 10.7. **1<sup>st</sup> FAI EIAC Jury President's Report (Tamás Ábrányi)**
- 10.8. **1<sup>st</sup> FAI EIAC Chief Judge's Report (Nick Buckenham)**
- 10.9. **1<sup>st</sup> FAI EIAC Contest Director's Report (Laszlo Ferenc)**

### **Reports approved by CIVA**

## **11. Future FAI Aerobatic Championships**

### **11.1. The 24<sup>th</sup> FAI World Glider Aerobatic Championships 2022 and the 12<sup>th</sup> FAI World Advanced Glider Aerobatic Championships 2022, Issoudun, France (August 18 – August 27, 2022)**

Brian Spreckley presented updated information on the Championship preparation.

### **11.2. The 25<sup>th</sup> FAI World Glider Aerobatic Championships 2023 and the 13<sup>th</sup> FAI World Advanced Glider Aerobatic Championships, 2023 Pociunau, Lithuania (July 26 – August 5, 2023)**

No changes have been made, they are continuing to prepare for the Championships.

### **11.3. The 15<sup>th</sup> FAI World Advanced Aerobatic Championships 2023, Las Vegas, USA (October 10 – October 21, 2023)**

Mike Gallaway presented updated information on the Championship preparation.

### **11.4. The 6<sup>th</sup> FAI Yak52 World Aerobatic Championships, Mogilev Region, Belarus (approval pending)**

No information was provided, this uncompleted bid may now be considered closed.

**Other future events (bids invited)**

**31<sup>st</sup> FAI World Aerobatic Championships 2022, Leszno, Poland (August 4 – August 13, 2022)**

IN FAVOUR: 21      AGAINST: 0      ABSTAIN: 0

**Bid approved**

**12<sup>th</sup> FAI European Advanced Aerobatic Championships 2022, Clinceni, Romania (September 16 – September 24, 2022)**

IN FAVOUR: 20      AGAINST: 0      ABSTAIN: 1

**Bid approved**

**3<sup>rd</sup> FAI World Intermediate Aerobatic Championships 2022 and 6<sup>th</sup> FAI World YAK52 Aerobatic Championships 2022, Torun, Poland (June 4 – June 11, 2022)**

**Bid approved by acclamation**

<https://www.civanews.com/civa-championships/>

**12. FAI Special Aerobatic Events (FSAE) for 2021**

Nick Buckenham presented information about the new CIVA open series format COTS earlier in the session.

**The online meeting was adjourned until Sunday**

President candidates Nick Buckenham and John Gaillard gave their presentations and answered questions from the delegates.

**13. CIVA Committee Reports & Proposed Rules Changes**

**13.1. Part 1 Proposals (Matthieu ROULET)**

**NP2022-1:**

Source: FRA #1

Document: Section 6 Part 1

Subject: Order of Flights in case of cut.

IN FAVOUR: 20      AGAINST: 2      ABSTAIN: 3

**CIVA approved**

**NP2022-3:**

Source: FRA #3

Document: Section 6 Part 1

Subject: Interruption penalty.

IN FAVOUR: 17      AGAINST: 7      ABSTAIN: 1

**CIVA approved**

**NP 2022-5/-2**

Source: GBR #1 & FRA #2

Document: Section 6 Part 1

Subject: Safety, warm-up and practice figures.

IN FAVOUR: 19 AGAINST: 3 ABSTAIN: 3

**CIVA approved**

**NP 2022-6**

Source: GER #1

Document: Section 6 Part 1 and Part 2

Subject: Video / audio devices.

IN FAVOUR: 20 AGAINST: 2 ABSTAIN: 3

**CIVA approved**

**NP 2022-7**

Source: RUS #1

Document: Section 6 Part 1

Subject: Drawing of lots.

IN FAVOUR: 21 AGAINST: 1 ABSTAIN: 3

**CIVA approved**

**NP 2022-8**

Source: RUS #2

Document: Section 6 Part 1

Subject: Number of flick rolls in Advanced Unknowns.

IN FAVOUR: 10 AGAINST: 13 ABSTAIN: 2

**CIVA rejected**

**NP 2022-9/-20/-21/-22/-23**

Source: RUS #3, SPA #9, SPA #10, SPA #11, SPA #12

Document: Section 6 Part 1

Subject: Number of flick rolls in Unlimited Unknowns.

2022-9 14

2022-22 10

2022-21 6

2022-23 6

Abstain 6

	Vote 1	Vote 2	
2022-9	10	9	
<b>2022-22</b>	10	11	<b>CIVA approved</b>
Abstain	4	5	

2022-20

IN FAVOUR: 11 AGAINST: 11 ABSTAIN: 3

**CIVA rejected**

Increasing the number of flicks

IN FAVOUR: 17 AGAINST: 9 ABSTAIN: 1

**CIVA approved**

**NP 2022-10**

Source: RUS #4

Document: Section 6 Part 1

Subject: Flick rolls in Advanced Unknowns.

IN FAVOUR: 7 AGAINST: 14 ABSTAIN: 4

***CIVA rejected***

**NP 2022-12**

Source: SPA #1

Document: Section 6 Part 1

Subject: Figures in Unlimited Unknowns.

IN FAVOUR: 19 AGAINST: 5 ABSTAIN: 1

***CIVA approved***

**NP 2022-13**

Source: SPA #2

Document: Section 6 Part 1

Subject: Figures in Unlimited Unknowns.

Vote 1 (3/4/4)

IN FAVOUR: 16 AGAINST: 6 ABSTAIN: 3

***CIVA approved***

Vote 2 (3/4)

IN FAVOUR: 16 AGAINST: 5 ABSTAIN: 4

***CIVA approved***

Vote 3 (1/4)

IN FAVOUR: 17 AGAINST: 4 ABSTAIN: 4

***CIVA approved***

**NP 2022-14**

Source: SPA #3

Document: Section 6 Part 1

Subject: Figures in Unlimited Unknowns.

IN FAVOUR: 17 AGAINST: 5 ABSTAIN: 3

***CIVA approved***

**NP 2022-15**

Source: SPA #4

Document: Section 6 Part 1

Subject: Figures in Unlimited Unknowns.

IN FAVOUR: 14 AGAINST: 8 ABSTAIN: 3

***CIVA approved***

**NP 2022-16**

Source: SPA #5

Document: Section 6 Part 1

Subject: Figures in Unlimited Unknowns.

IN FAVOUR: 13 AGAINST: 10 ABSTAIN: 2

***CIVA rejected***

**NP 2022-17**

Source: SPA #6

Document: Section 6 Part 1

Subject: 45°up rotations in Unlimited Unknowns

IN FAVOUR: 15 AGAINST: 9 ABSTAIN: 1

***CIVA approved***

**NP 2022-18**

Source: SPA #7

Document: Section 6 Part 1 and Part 2

Subject: Remove PZ

IN FAVOUR: 7 AGAINST: 16 ABSTAIN: 3

***CIVA rejected***

**NP 2022-19**

Source: SPA #8

Document: Section 6 Part 1

Subject: Flick / aileron roll combinations in Unlimited Unknowns.

IN FAVOUR: 7 AGAINST: 17 ABSTAIN: 1

***CIVA rejected***

**NP 2022-25**

Source: SPA #14

Document: Section 6 Part 1

Subject: Number of flick rolls per figure in Unlimited Unknowns

IN FAVOUR: 9 AGAINST: 13 ABSTAIN: 3

***CIVA rejected***

**NP 2022-26**

Source: SPA #15

Document: Section 6 Part 1

Subject: Figures in Unlimited Unknowns

IN FAVOUR: 7 AGAINST: 13 ABSTAIN: 5

***CIVA rejected***



**13.2. Part 2 Proposals (Pekka HAVBRANDT)**

**NP 2022-6**

Source: GER #1

Document: Section 6 Part 2

Subject: Video / Audio input.

IN FAVOUR: 16 AGAINST: 0 ABSTAIN: 9

**CIVA approved**

**NP 2022-7**

Source: RUS #1

Document: Section 6 Part 2

Subject: Drawing of lots.

IN FAVOUR: 14 AGAINST: 0 ABSTAIN: 11

**CIVA approved**

**NP 2022-18**

Source: SPA #7

Document: Section 6 Part 1 and Part 2

Subject: Remove PZ.

IN FAVOUR: 4 AGAINST: 13 ABSTAIN: 8

**CIVA rejected**

**NP 2022-24**

Source: SPA #13

Document: Section 6 Part 1

Subject: Selection of unknown figures

IN FAVOUR: 12 AGAINST: 1 ABSTAIN: 12

**CIVA rejected**

**13.3. Safety, Expedited and Urgent Proposals**

Phillippe Küchler presented Safety and Urgent proposals on behalf of Manfred Echter (President of the International Jury at WGAC & WAGAC 2021)

Proposal 1

Subject: Selection of unknown figures

IN FAVOUR: 15 AGAINST: 0 ABSTAIN: 10

**CIVA approved**

Proposal 2

Subject: Unknown sequence Advanced gliders

IN FAVOUR: 14 AGAINST: 0 ABSTAIN: 11

**CIVA approved**

Proposal 3

Subject: Box flight for glider competitions

IN FAVOUR: 14 AGAINST: 0 ABSTAIN: 11

**CIVA approved**

**14. A draft new CIVA Governance document**

Matthieu Roulet presented an update on the process of creating the Governance document.

**15. 2022 Power and Glider Free Known figure selections (see end of this document)**

**Yak 52 and Power Intermediate Free Known Programme**

***Proposal D selected***

**Power Advanced Free Known Programme**

***Proposal F selected***

**Power Unlimited Free Known Programme**

***Proposal A selected***

**Glider Advanced Free Known Programme**

***Proposal 1 selected***

**Glider Unlimited Free Known Programme**

***Proposal 4 selected***

**16. CIVA Elections 2022**

**President:**

Nick BUCKENHAM Elected 2021 for 2022-2023

**Vice Presidents:**

Hanspeter ROHNER Elected 2020 for 2021-2022

Elena KLIMOVICH Elected 2020 for 2021-2022

Matthieu ROULET Elected 2021 for 2022-2023

John GAILLARD Elected 2021 for 2022-2023

**Secretaries:**

Hanna RÄIHÄ Elected 2020 for 2021-2022

Zuzana DANIHELOVÁ Elected 2021 for 2022-2023

**Treasurer:**

Jürgen LEUKEFELD Elected 2020 for 2021-2022

**Rules Committee**

**Chairman:** Matthieu ROULET

**Members:** Elena KLIMOVICH  
Mike GALLAWAY  
Hanspeter ROHNER  
Philippe KÜCHLER  
Pierre VARLOTEAUX

**Judging Committee**

**Chairman:** Pierre VARLOTEAUX

**Members:** John GAILLARD  
Philippe KÜCHLER  
Elena KLIMOVICH  
Madelyne DELCROIX  
Mikhail MAMISTOV

**Glider Aerobatic Committee**

**Chairman:** Pekka HAVBRANDT

**Members:** Madelyne DELCROIX  
Jerzy MAKULA  
Philippe KÜCHLER  
Ferenc TOTH  
Eduardo BOLSTER

**Catalogue Committee**

**Chairman:** John GAILLARD

**Members:** Pekka HAVBRANDT  
Mike HEUER  
Jim BOURKE  
Romain FHAL  
Aaron DELIU

**ICT Committee**

**Chairman:** Ringo MASSA

**Members:** Kari KEMPPI  
Chris SILLS  
Vladimír MACHULA  
Konstantin BOROVIK

**17. Appointment and Approval of Championships Officials**

- 17.1. 3<sup>rd</sup> FAI World Intermediate Aerobatic Championships 2022 and 6<sup>th</sup> FAI World YAK52  
Aerobatic Championships, Torun, Poland
- |                                 |                                      |
|---------------------------------|--------------------------------------|
| President of International Jury | Tamás Ábrányi                        |
| International Jury Members      | Madelyne Delcroix<br>Elena Klimovich |
| Chief Judge                     | Nick Buckenham                       |

- 17.2.** The 31<sup>st</sup> FAI World Aerobatic Championships 2022, Leszno, Poland  
President of International Jury Pierre Varloteaux  
International Jury Members Mike Heuer  
Elena Klimovich  
Chief Judge John Gaillard
- 17.3.** The 24<sup>th</sup> FAI World Glider Aerobatic Championships 2022 and 12<sup>th</sup> FAI World Advanced Aerobatic Championships, Issoudun, France  
President of International Jury Madelyne Delcroix  
International Jury Members Pekka Havbrandt  
Jurek Makula  
Chief Judge Phillippe Kuchler
- 17.4.** 12<sup>th</sup> FAI European Advanced Aerobatic Championships, Clinceni, Romania  
President of International Jury Pierre Varloteaux  
International Jury Members Elena Klimovich  
Vladimír Machula  
Chief Judge Guy Auger

### 18. List of International Aerobatic Judges

Delegates will receive an email with instructions from the Judging Committee Chairman Pierre Varloteaux on the procedure for additions to the list.

### 19. Other reports

#### Contest Scoring Programme

Nick Buckenham presented his report.

#### FAI / Aresti Committee report

John Gaillard did not add any information to the official report already published.

#### Contest Organization Working Group

Nick Buckenham presented his report.

#### **Reports approved by CIVA**

### 20. Diplomas and Awards

#### The Léon Biancotto Diploma

The delegates agreed unanimously to award the Diploma this year.

Two candidates were nominated: Mike Heuer (USA) and Stanislav Bajzík (CZE).

After voting it was decided that Leon Biancotto Diploma will be awarded to Mike Heuer.

### **FAI Air Sport Medal**

The bureau proposed the following two nominees: Michal Červený (CZE) and Josef Šutka (CZE). They will both be awarded the FAI Air Sport Medal.

### **The CIVA Championships Organiser of the Year Trophy**

The Trophy for the best Contest Organiser of the Year was awarded to the Romanian Aeroclub for their excellent running of the European Intermediate Aerobatic Championships at Deva.

## **21. Date and Place of Future Plenary Meeting**

**Place: Dallas, USA**

**Date: TBA**

The US delegate Mike Gallaway verbally confirmed the intention of the US to host the next plenary meeting in Dallas in 2022 (subject to change depending on the COVID-19 situation development).

### **Submitted for approval**

*Hanna RÄIHÄ*

*Zuzana DANIHELOVÁ*

*Secretaries of CIVA*

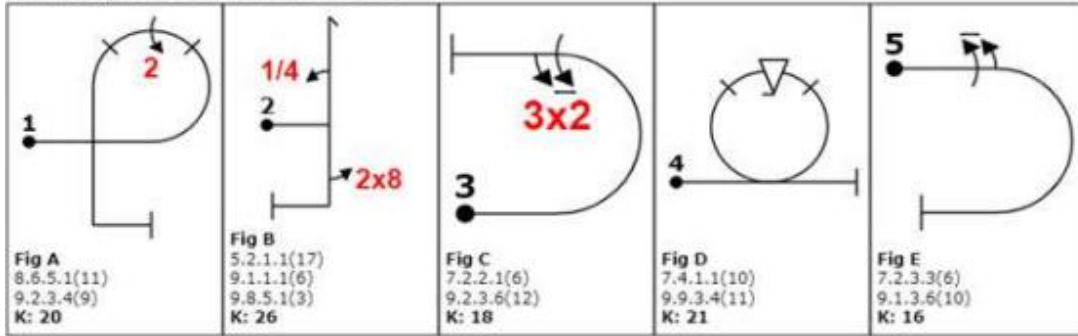
The "Known" figures specified by CIVA for Power Free Known programmes in 2022 are:

**Intermediate power / Yak-52 category**

**Proposal D**

Max total K of set allowed = 110

**YAk52/Int D Total K 101**

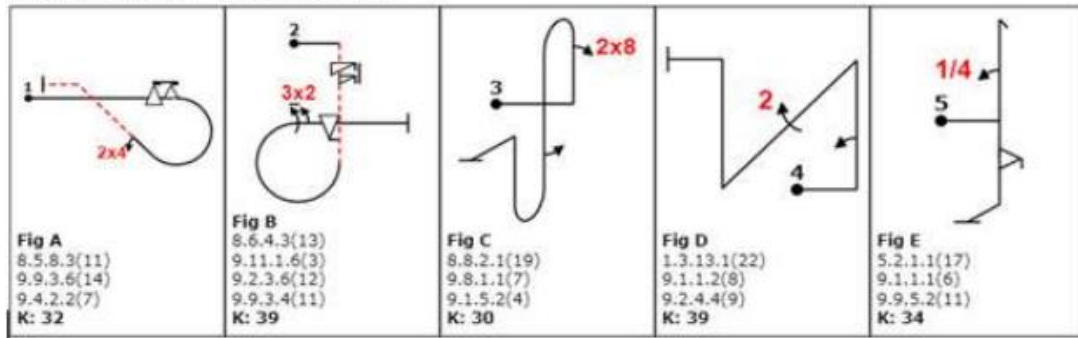


**Advanced power category**

**Proposal F**

Max total K of set allowed = 175

**Advanced F Total K 174**

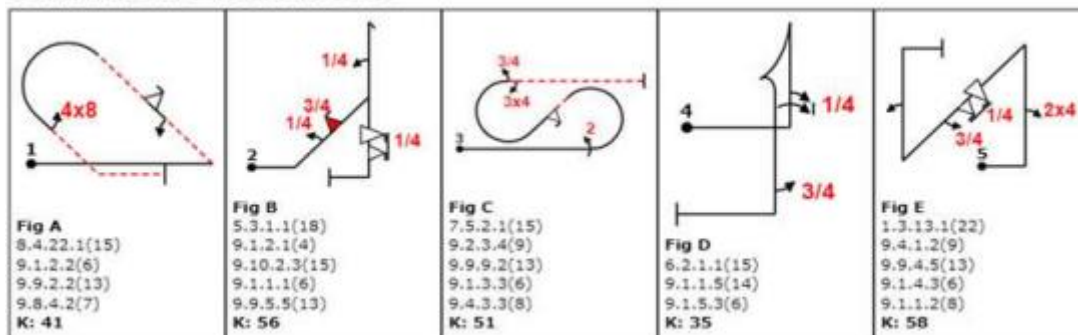


**Unlimited power category**

**Proposal A**

Max total K of set allowed = 245

**Unlimited A Total K 241**



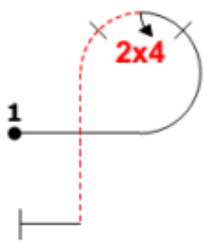
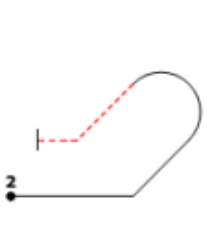
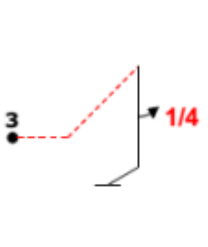
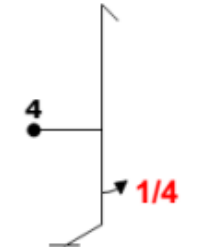
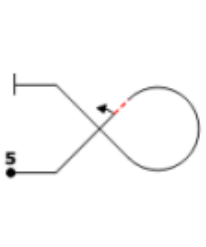
The “Known” figures specified by CIVA for Glider Free Known programmes in 2022 are:

**Advanced category**

**Proposal 1**

*Max total K of set allowed = 97*

**1** K = 91

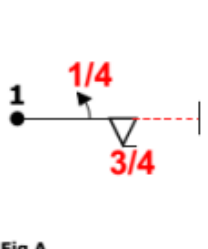
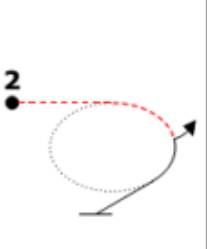
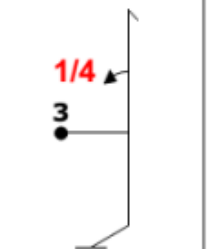
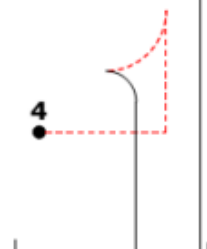
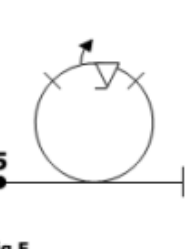
 <p><b>Fig A</b> 8.6.22.1(13) 9.4.3.2(8) <b>K: 21</b></p>	 <p><b>Fig B</b> 8.4.13.1(11) <b>K: 11</b></p>	 <p><b>Fig C</b> 1.2.2.2(13) 9.1.5.1(3) <b>K: 16</b></p>	 <p><b>Fig D</b> 5.2.1.1(17) 9.1.5.1(3) <b>K: 20</b></p>	 <p><b>Fig E</b> 7.3.2.1(14) 9.1.2.2(9) <b>K: 23</b></p>
--	---	---	--	---

**Unlimited category**

**Proposal 4**

*Max total K of set allowed = 127*

**4** K = 116

 <p><b>Fig A</b> 1.1.1.3(2) 9.1.3.1(3) 9.9.3.3(14) <b>K: 19</b></p>	 <p><b>Fig B</b> 2.1.2.4(21) <b>K: 21</b></p>	 <p><b>Fig C</b> 5.2.1.1(17) 9.1.1.1(9) <b>K: 26</b></p>	 <p><b>Fig D</b> 6.2.2.4(22) <b>K: 22</b></p>	 <p><b>Fig E</b> 7.4.1.1(10) 9.9.3.2(12) 9.1.3.2(6) <b>K: 28</b></p>
--	--	---	---	---