



*Fédération
Aéronautique
Internationale*

FAI Aerobatics Commission (CIVA)

SUMMARY OF CONCLUSIONS of the 2020 plenary meeting

held on
7th and 8th November 2020
via the ZOOM online meeting system

*Maison du Sport International
Av. de Rhodanie 54
CH-1007 - Lausanne
(Switzerland)*

*Tel : +41 21 345 1070
Fax : +41 21 345 1077
Email: sec@fai.org
Web: www.fai.org*

Issue 1.0 – 19th November 2020

CIVA Presidents introductory remarks

President

Nick BUCKENHAM CIVA President

CIVA Bureau Members:

Matthieu ROULET	Vice President
Philippe KÜCHLER	Vice President
Tamás ÁBRÁNYI	Vice President
Jürgen LEUKEFELD	Treasurer
Hanna RÄIHÄ	Secretary
Zuzana DANIHELOVÁ	Secretary

1. In memoriam

A minute of silence was observed to remember friends and colleagues who passed away in 2020.

Mark Nowosielski	USA	January 2020
Donaldas Bleifertas	LTU	May 2020
Tom Adams	USA	May 2020

2. Meeting Introduction

2.1. Roll Call of Delegations

Present: Argentina, Belgium, Canada, Czech Republic, Denmark, Finland, France, Germany, Hungary, Ireland, Japan, Lithuania, Luxemburg, Netherlands, Norway, Poland, Romania, Republic of South Africa, Russia, Slovak Republic, Spain, Sweden, Switzerland, Turkey, Great Britain, United States of America

1 proxy was tabled: Brazil to Argentina

Apologies for absences: None.

TOTAL VOTES: 27 (26 present, 1 proxy), Absolute majority = 14, 2/3 majority = 18

2.2. Minutes of the 2019 Meeting

The minutes of the 2019 minutes will be adjusted to meet John Gaillard's comment.

2.3. Declaration of Conflicts

There were no declarations of conflict.

3. Report from the President of CIVA – Nick Buckenham

CIVA President Nick Buckenham presented his report.

4. Report from the FAI General Secretary – Markus Haggene

Markus Haggene, FAI General Secretary presented his report.

5. Online Voting System Trial

CIVA Secretary Hanna R iha explained the voting procedure using the Election Runner system.

6. CIVA Committee and Working Group Reports

Information and Communication Technology Committee Report

ICTC Chairman Vladim r Machula presented information on the activities carried out this year.

Strategic Planning Working Group

No report was submitted due to the Covid affected lack of championships during the year.

7. Report on CIVA Finances 2019 – 2020

7.1. 2020 Financial Results (J rgen LEUKEFELD)

7.2. 2021 CIVA Travel Allowance Programme (J rgen LEUKEFELD, Madelyne DELCROIX)

7.3. 2021 Budget (J rgen LEUKEFELD)

Reports approved by CIVA

8. CIVA Free Known Power figure selection

Elena Klimovich explained the shortlist of figures approved by the KAWG Experts. Voting was carried out using the Election Runner system, with results announced the next day (item 15 of the SoC).

9. Reports of other Committees and Working Groups

Report of the CIVA Judging Committee

Pierre Varloteaux explained the process of updating the list of international judges and judges' selection procedure.

Report of the CIVA Catalogue Committee

Manfred Echter presented a brief report. No catalogue items have been changed.

Report of the CIVA Glider Aerobatics Committee

Manfred Echter presented his report on proposed rule changes, which were voted during the following day using the Election Runner system.

Report on the Fair Play System

No report was submitted due to the Covid affected lack of championships during the year.

10. Reports of the 2020 Championships

Nick Buckenham presented a review of the championships deferment process – 2020 to 2021.

11. Future FAI Aerobatic Championships

The 23rd FAI World Glider Aerobatic Championships and the 11th FAI World Advanced Glider Aerobatic Championships, Leszno, Poland (July 28 – August 8, 2021)

Jerzy Makula reported that they are prepared, there are no changes.

The 14th FAI World Advanced Aerobatic Championships, Hosín, Czech Republic (July 15 – July 23, 2021)

The new Czech delegate Martin Vecko along with Vladimír Machula reported that there are no changes to the championships.

The 22nd FAI European Aerobatic Championships, Břeclav, Czech Republic (August 21 – August 27, 2021)

Czech delegate Martin Vecko and Vladimír Machula reported no changes to the championships.

The 1st FAI European Open Intermediate Aerobatic Championships, Deva, Romania (July 4 – July 10, 2021)

László Ferenc reported that that no changes are planned, Deva is well prepared.

The 24th FAI World Glider Aerobatic Championships and the 12th FAI World Advanced Glider Aerobatic Championships 2022, Issoudun, France (August 17 – August 27, 2022)

Brian Spreckly reported that no changes are planned.

The 25th FAI World Glider Aerobatic Championships and the 13th FAI World Advanced Glider Aerobatic Championships, Pociunai, Lithuania (July 26 – August 5, 2023)

Eltonas Meleckis reported that no changes are planned.

The 15th FAI World Advanced Aerobatic Championships, Las Vegas, USA (October 10 – October 20, 2023)

Mike Gallaway reported that no changes are planned.

The 6th FAI Yak52 World Aerobatic Championships, Mogilev Region, Belarus (approval pending)

No information was provided, this uncompleted bid may now be considered closed.

Other future events (bids invited)

Alex Moore reported that in few months Spain will be able to confirm a bid for WAC 2022.

For more detailed information please refer to <https://www.civanews.com/civa-championships/>

12. FAI Special Aerobatic Events (FSAE) for 2021

Nick Buckenham presented a short report including a brief introduction to WCAR.

13. CIVA Committee Reports & Proposed Rules Changes

Part 1 Proposals (Matthieu ROULET)

NP2021-1:

Source: ARG #1

Subject: List of aircraft available for hire.

Proposal forwarded to the CIVA Bureau, required information to be published on civa-news.com

NP2021-2:

Source: ARG #2

Subject: Nominating a point of contact for overseas participants.

Proposal forwarded to the CIVA Bureau, required information to be published on civa-news.com

NP 2021-3

Source: ARG #3

Subject: Create a fund to subsidize participants from overseas.

CIVA agreed to create a WG chaired by Eduardo Bolster (Alex Moore, John Gaillard)

NP 2021-6

Source: GBR #1

Subject: Competitor eligibility in Intermediate.

IN FAVOUR: 20 AGAINST: 4 ABSTAIN: 2

CIVA agreed

NP 2021-7

Source: GBR #2

Document: Section 6 Part 1

Subject: 12m time limit for Programme 1.

IN FAVOUR: 18 AGAINST: 6 ABSTAIN: 2

CIVA agreed

NP 2021-8

Source: GBR #3

Document: Section 6 Part 1

Subject: 12m time limit Programmes 2-4.

IN FAVOUR: 16 AGAINST: 9 ABSTAIN: 1

CIVA agreed

NP 2021-11

Source: HUN #1

Document: Section 6 Part 1

Subject: Team composition.

IN FAVOUR: 7 AGAINST: 15 ABSTAIN: 4

CIVA rejected

NP 2021-15

Source: RUS #4

Subject: Time separation between Advanced and Unlimited events.

CIVA agreed this should be put into the new Governance document

NP 2021-16

Source: RUS #5

Document: Section 6 Part 1

Subject: Ambient air temperature limitations

CIVA agreed to create a W/G led by Vladimír Machula to investigate this issue

NP 2021-17

Source: ZAF #1

Document: Section 6 Part 1 / Part 2

Subject: Accommodation of judges for the initial briefing day.

No objections, CIVA agreed

NP 2021-19

Source: SPA #1

Document: Section 6 Part 1

Subject: Remove gender distinction from Unlimited Aerobatic Championships (power).

IN FAVOUR: 8 AGAINST: 15 ABSTAIN: 3

CIVA rejected

NP 2021-20

Source: SPA #2

Document: Section 6 Part 1

Subject: 45° up rotations in Unknown figures.

Proposal amended: 1.1.10.1/1.1.11.1 family excluded from the change

IN FAVOUR: 14 AGAINST: 8 ABSTAIN: 4

CIVA agreed

NP 2021-21

Source: SPA #3

Document: Section 6 Part 1

Subject: 8-point roll at bottom of loop in Unknown figures.

IN FAVOUR: 8 AGAINST: 14 ABSTAIN: 4

CIVA rejected

NP 2021-22

Source: SPA #4

Document: Section 6 Part 1

Subject: Standardised unlinked and opposite aileron rolls in Unlimited

Proposal amended: 1.1.10.4 / 1.1.11.4. / 7.4.5 family 8.4.15 – 8.4.18 excluded

IN FAVOUR: 15 AGAINST: 8 ABSTAIN: 3

CIVA agreed

NP 2021-23

Source: SPA #5

Document: Section 6 Part 1

Subject: Permit combination of flick rolls followed by aileron rolls on 45° down lines.

Proposal amended: 1.1.10.4 / 1.1.11.4. / 7.4.5 family 8.4.15 – 8.4.18 excluded

IN FAVOUR: 18 AGAINST: 5 ABSTAIN: 3

CIVA agreed

NP 2021-24

Source: SPA #6

Document: Section 6 Part 1

Subject: Permit flick rolls and aileron roll combinations.

IN FAVOUR: 11 AGAINST: 11 ABSTAIN: 4

CIVA rejected

NP 2021-25

Source: SPA #7

Document: Section 6 Part 1

Subject: Remove limitation in the number of flick rolls permitted in Programmes 2, 3 and 4.

IN FAVOUR: 13 AGAINST: 8 ABSTAIN: 5

CIVA rejected

Part 2 Proposals (Manfred ECHTER)

NP 2021-13

Source: RUS #1

Document: Section 6 Part 2

Subject: Increasing the number of Free Unknowns.

IN FAVOUR: 10 AGAINST: 9 ABSTAIN: 7

CIVA rejected

NP 2021-26

Source: GAC #1

Document: Section 6 Part 2

Subject: New Concept for Unknown Programmes

CIVA agreed by acclamation in modified form

Safety, Expedited and Urgent Proposals (Nick BUCKENHAM)

No proposals were submitted.

14. A draft new CIVA Governance document

Matthieu Roulet presented his draft of the forthcoming Governance document.

15. Announcement of 2021 Power Free Known figure selections

Yak 52 and Power Intermediate Free Known Programme

Proposal E selected

Power Advanced Free Known Programme

Proposal A selected

Power Unlimited Free Known Programme

Proposal C selected

Post-plenary note: After the meeting it was seen that the 2.2.2.4 Rolling Turn in the selected set of Unlimited figures conflicts with the versatility requirement for Programme 1. This issue will be resolved shortly.

16. CIVA Elections 2020

Note: 27 votes (26 present, 1 proxy), absolute majority: 14

President:

Nick BUCKENHAM Elected 2019 for 2020-2021

Vice Presidents:

Phillipe KÜCHLER Elected 2019 for 2020-2021

Matthieu ROULET Elected 2019 for 2020-2021

Hanspeter ROHNER Elected 2020 for 2021-2022

Elena KLIMOVICH Elected 2020 for 2021-2022

Secretaries:

Zuzana DANIHELOVÁ Elected 2019 for 2020-2021

Hanna RÄIHÄ Elected 2020 for 2021-2022

Treasurer:

Jürgen LEUKEFELD Elected 2020 for 2021-2022

Rules Committee

Chairman: Matthieu ROULET

Members: Elena KLIMOVICH
Hanspeter ROHNER
Nick BUCKENHAM
Philippe KÜCHLER
Mike GALLAWAY

Judging Committee

Chairman: Pierre VARLOTEAUX

Members: John GAILLARD
Madelyne DELCROIX
Elena KLIMOVICH
Mikhail MAMISTOV
Philippe KÜCHLER

Glider Aerobatic Committee

Chairman: Manfred ECHTER
Members: Madelyne DELCROIX
Jerzy MAKULA
Philippe KÜCHLER
Ferenc TOTH
Pekka HAVBRANDT

Catalogue Committee

Chairman: Manfred ECHTER
Members: Romain FHAL
Pekka HAVBRANDT
Brian HOWARD
Pierre VARLOTEAUX
Anatoly BELOV

ICT Committee

Chairman: Vladimír MACHULA
Members: Kari KEMPPI
`Nick BUCKENHAM
Peter ROUNCE
Philippe KÜCHLER
Ringo MASSA

17. Appointment and Approval of Championships Officials

All Championships Officials elected in 2019 are available also for Championships in 2021.

18. List of International Aerobatic Judges

No judge names were announced by delegates to add to this list.

19. Other reports

Contest Scoring Programme

Nick Buckenham presented his report.

FAI / Aresti Committee report

John Gaillard gave a short resume of the current situation.

Contest Organization Working Group

No report was submitted due to the Covid-affected lack of championships during the year.

20. Diplomas and Awards

The Léon Biancotto Diploma

The delegates agreed unanimously to award the Diploma this year.

Two candidates were nominated: Alan Cassidy (GBR) and Tamás Abrányi (HUN).

After voting it was decided that Leon Biancotto Diploma will be awarded to Alan Cassidy.

A proposal to make LG Arvidson a President of Honour of CIVA was raised.

The delegates agreed unanimously.

21. Date and Place of Future Plenary Meeting

Place: Dallas, USA

Date: Tba

The US delegate Mike Gallaway verbally confirmed that the US is happy to welcome the delegates to Dallas in 2021.

Submitted for approval

Hanna RÄIHÄ

Zuzana DANIHELOVÁ

Secretaries of CIVA

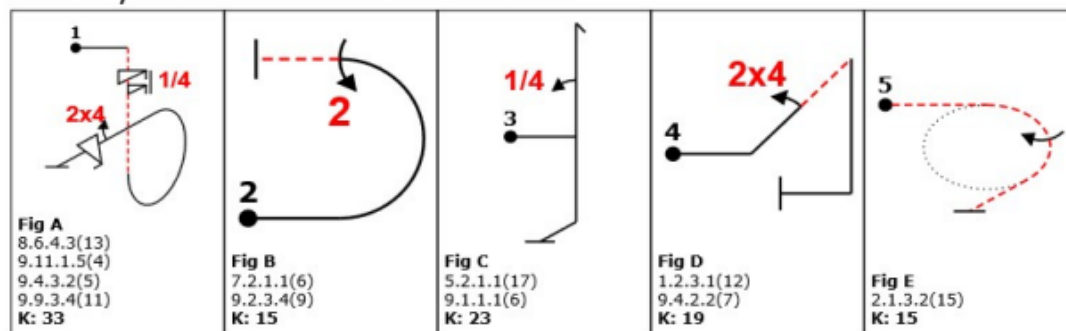
The “Known” figures specified by CIVA for Free Known programmes in 2021 are:

Intermediate power / Yak-52 category

Proposal E

Max total K allowed = 200

Yak-52/Intermediate E Total K 105

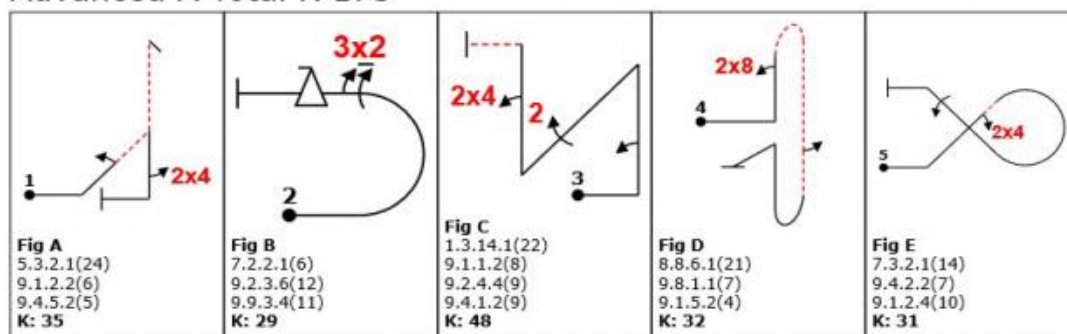


Advanced power category

Proposal A

Max total K allowed = 320

Advanced A Total K 175



Unlimited power category

Proposal C

Max total K allowed = 450

Unlimited C Total K 225

