

# CIVA Free Known Programme 1 Power Intermediate, Advanced and Unlimited 2025



## Guidance for competitors

Competitors should preferably design their own Free Known sequence, though they are entitled to use one provided by another competitor or resource.

Each Programme 1 Free Known sequence must comprise a total of 10 figures.

Within each sequence: 5 figures must be the “Known” figures specified by CIVA as shown overleaf and 5 must be “Free” figures, i.e. they are freely chosen by the competitor.

The 5 “Known” figures –

- must be those specified for the category by CIVA at its plenary.
- may individually be placed in any order and at any position within the sequence.
- may be employed in any orientation, i.e. with their start direction along the main box axis into wind, or down wind, or on the secondary axis in either direction.
- must be used with their design as specified by CIVA, unchanged in any way.

The 5 “Free” figures –

- must be selected from the Aresti Aerobatic Catalogue (Condensed), Power version.
- must, in conjunction with the specified “Known” figures, provide a sequence that complies overall with current CIVA Section 6 Part 1 regulations.

Sequence files submitted for a CIVA championship event –

- must be in a computer format declared acceptable to CIVA. Hard or paper copies of any type are not acceptable.
- must contain complete pages for forms “A”, “B” and “C” as well as forms “L” and “R”.
- must clearly identify on at least one of the forms the 5 “Known” figures using the specified letters A-E.

*QR codes to access the OpenAero master figures in mobile phones and tablets -*

**Power Intermediate**



**Power Advanced**



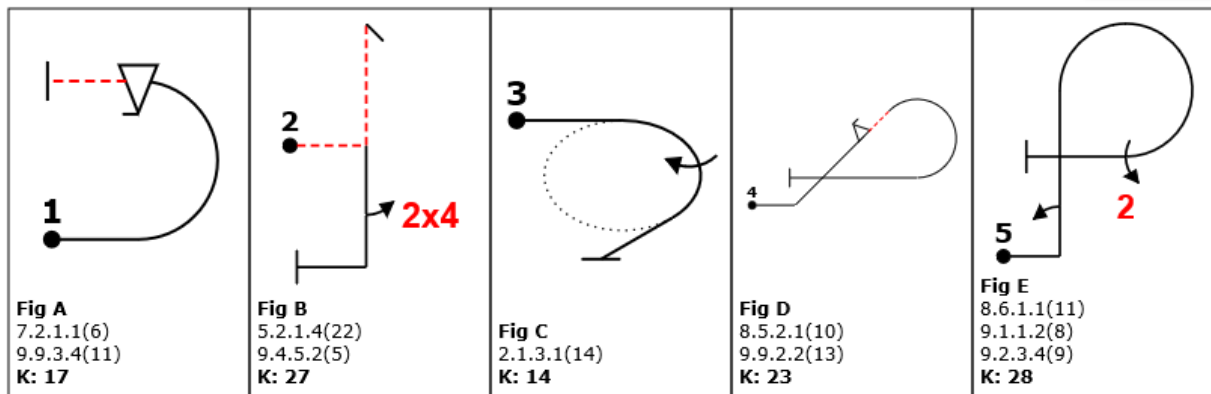
**Power Unlimited**



The "Known" figures specified by CIVA for powered aircraft in 2025 are:

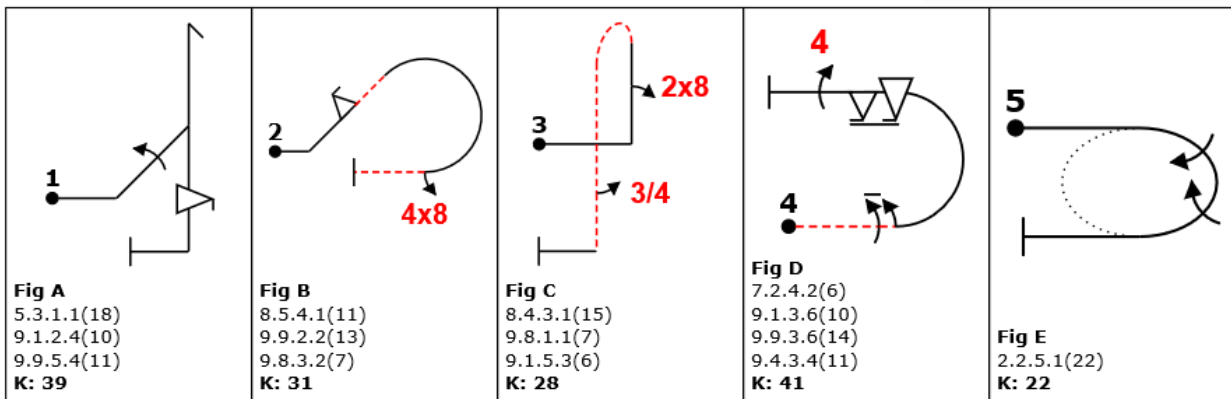
**Intermediate power category**

Max total K allowed = 200



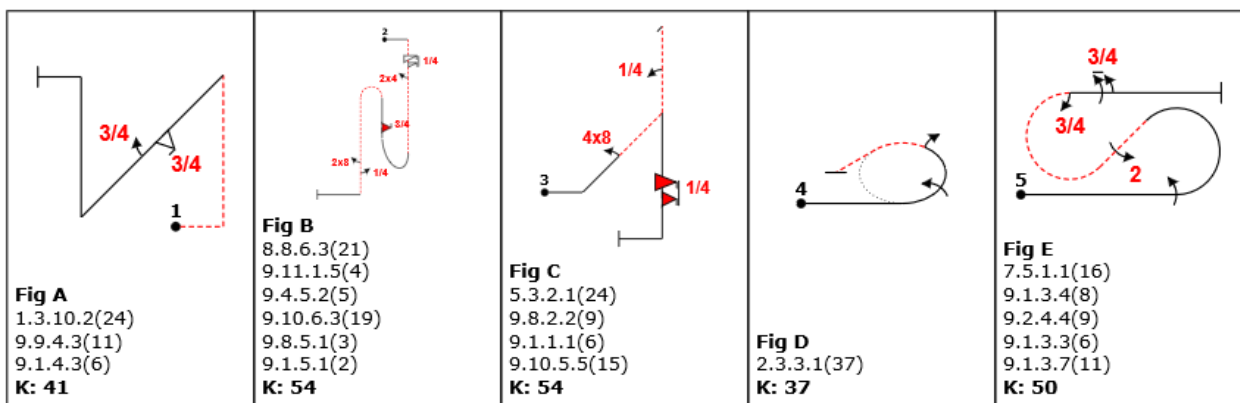
**Advanced power category**

Max total K allowed = 320



**Unlimited power category**

Max total K allowed = 450



Valid from January 1<sup>st</sup> 2025