

CIVA Free Known Programme 1

Glider Advanced and Unlimited 2024



Guidance for competitors

Competitors should preferably design their own Free Known sequence, though they are entitled to use one provided by another competitor or resource.

Each Programme 1 Free Known sequence must comprise a total of 10 figures.

Within each sequence: 5 figures must be the “Known” figures specified by CIVA and 5 must be “Free” figures, i.e. they are freely chosen by the competitor.

The 5 “Known” figures –

- must be those specified for the category by CIVA at its plenary.
- may individually be placed in any order and at any position within the sequence.
- may be employed in any orientation, i.e. with their start direction along the main box axis into wind, or down wind, or on the secondary axis in either direction.
- must be used with their design as specified by CIVA, unchanged in any way.

The 5 “Free” figures –

- must be selected from the Aresti Aerobatic Catalogue (Condensed), Glider version.
- must, in conjunction with the specified “Known” figures, provide a sequence that complies with 2024 CIVA Section 6 Part 2 versatility regulations: Advanced paragraph 2.1.2.6 and Unlimited paragraph 2.1.2.7

Sequence files submitted for a CIVA championship event –

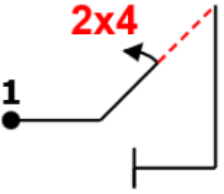
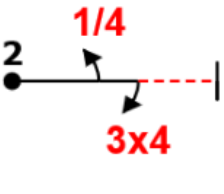
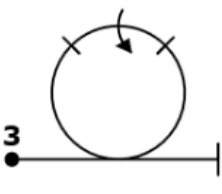
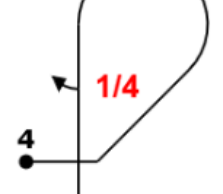
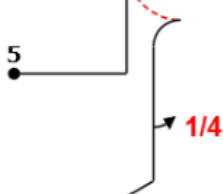
- must be in a computer format declared acceptable to CIVA; hard / paper copies of any type are not acceptable.
- must contain complete pages for forms “A”, “B” and “C” as well as forms “L” and “R”.
- must clearly identify the 5 “Known” figures using the specified letters A-E.

The specified “Known” figures for CIVA 2024 glider aircraft categories are shown overleaf.

The “Known” figures specified by CIVA for glider aircraft in 2024 are:

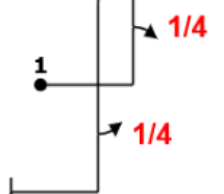
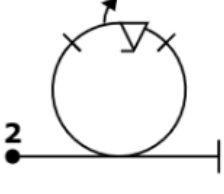
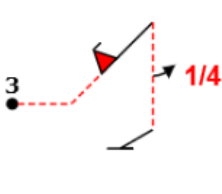
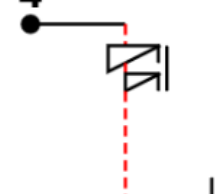
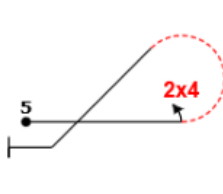
Advanced glider category

Max total K allowed = 175 §

 <p>Fig A 1.2.3.1(12) 9.4.2.2(11) K: 23</p>	 <p>Fig B 1.1.1.3(2) 9.1.3.1(3) 9.4.3.3(12) K: 17</p>	 <p>Fig C 7.4.1.1(10) 9.1.3.4(12) K: 22</p>	 <p>Fig D 8.5.9.1(12) 9.1.5.1(3) K: 15</p>	 <p>Fig E 6.2.2.1(17) 9.1.5.1(3) K: 20</p>
--	--	--	--	---

Unlimited glider category

Max total K allowed = 230 §

 <p>Fig A 8.4.1.1(13) 9.1.1.1(9) 9.1.5.1(3) K: 25</p>	 <p>Fig B 7.4.1.1(10) 9.9.3.2(12) 9.1.3.2(6) K: 28</p>	 <p>Fig C 1.2.4.2(14) 9.10.2.2(18) 9.1.5.1(3) K: 35</p>	 <p>Fig D 1.1.7.3(11) 9.11.1.6(7) K: 18</p>	 <p>Fig E 8.5.7.1(12) 9.4.3.2(8) K: 20</p>
--	---	--	---	---

§ - see CIVA 2024 Section 6 part 2 paragraph 2.1.2.5

v1 January 2024