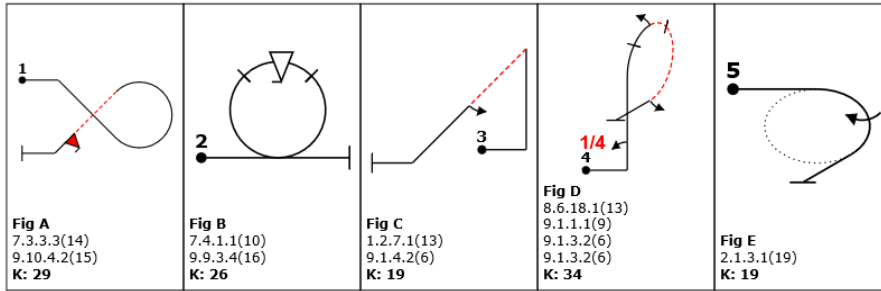


UNLIMITED GLIDER 5 FIGURES

A UL K=127

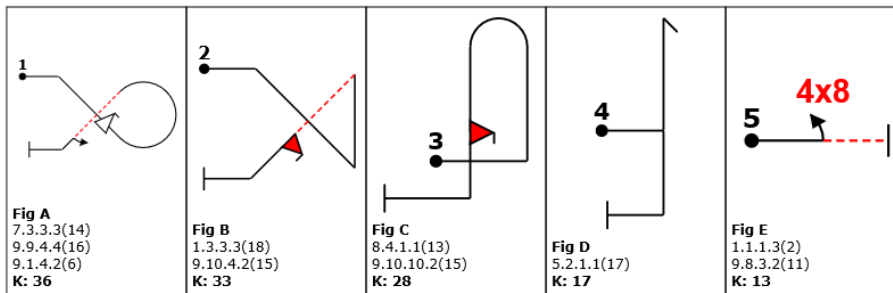
1 Place in GAC ranking



GAC members	Rank	Comments
	1-5	
Pekka Havbrandt SWE	1	
Eugen Schaal, GER	1	
Ferenc Toth, HUN	4	
Madelyne Delcroix, FRA	4	
Philippe Kuchler, SUI	1	
TOTAL RANK	11	

C UL K=127

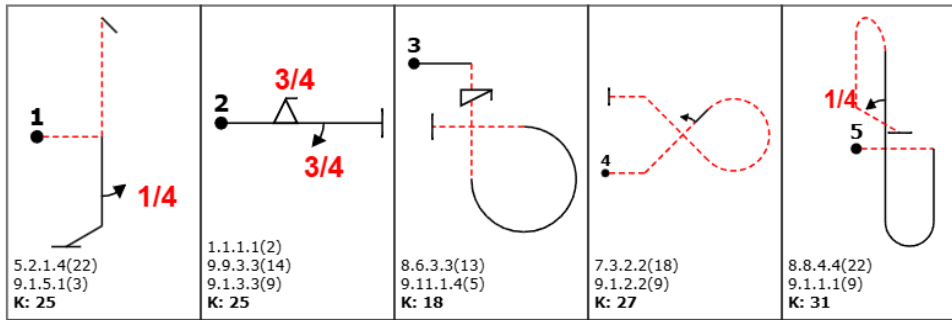
2 place in GAC ranking (same as D)



GAC members	Rank	Comments
	1-5	
Pekka Havbrandt SWE	3	
Eugen Schaal, GER	2	
Ferenc Toth, HUN	6	
Madelyne Delcroix, FRA	2	
Philippe Kuchler, SUI	2	
TOTAL RANK	15	

D UL K= 126

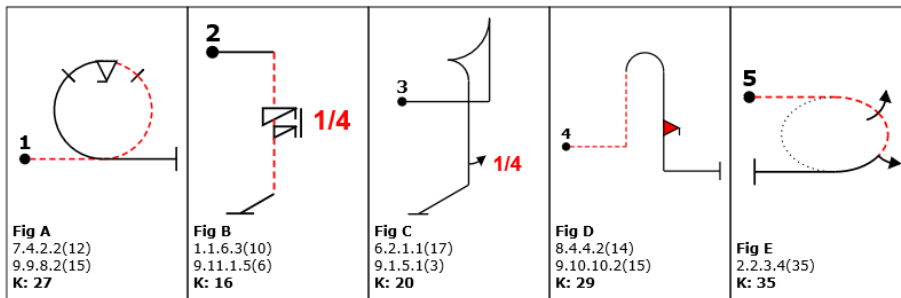
2 place in GAC ranking (same as C)



GAC members	Rank 1-5	Comments
Pekka Havbrandt SWE	6	Fig B and E are new figures not included in allowed unknowns, but OK here.
Eugen Schaal, GER	4	Fox altitude consumption SZD59 Fig. 2 Vflick vs. energy consumption
Ferenc Toth, HUN	1	
Madelyne Delcroix, FRA	1	
Philippe K�uchler, SUI	3	
TOTAL RANK	15	

E UL K=127

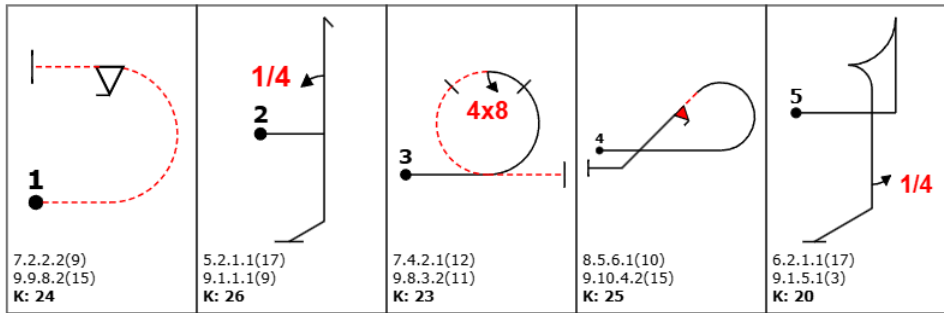
3 place in GAC ranking (same as F)



GAC members	Rank 1-5	Comments
Pekka Havbrandt SWE	5	
Eugen Schaal, GER	5	
Ferenc Toth, HUN	3	
Madelyne Delcroix, FRA	3	
Philippe K�uchler, SUI	5	
TOTAL RANK	21	

F UL K=118

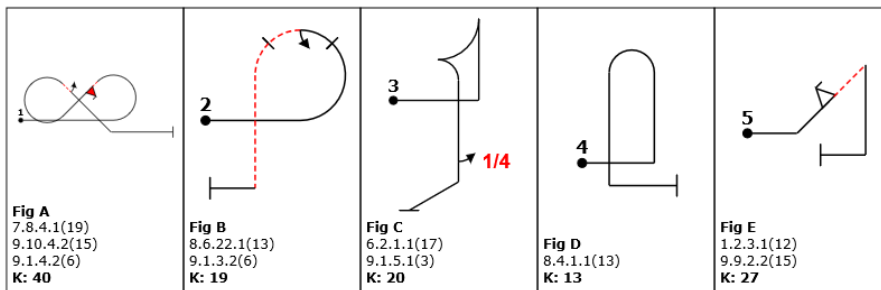
3 place in GAC ranking (same as E)



GAC members	Rank	Comments
	1-5	
Pekka Havbrandt SWE	4	
Eugen Schaal, GER	6	
Ferenc Toth, HUN	2	
Madelyne Delcroix, FRA	5	
Philippe K�uchler, SUI	4	
TOTAL RANK	21	

B UL K=119

4 place in GAC ranking



GAC members	Rank	Comments
	1-5	
Pekka Havbrandt SWE	2	
Eugen Schaal, GER	3	
Ferenc Toth, HUN	5	
Madelyne Delcroix, FRA	6	
Philippe K�uchler, SUI	6	
TOTAL RANK	22	